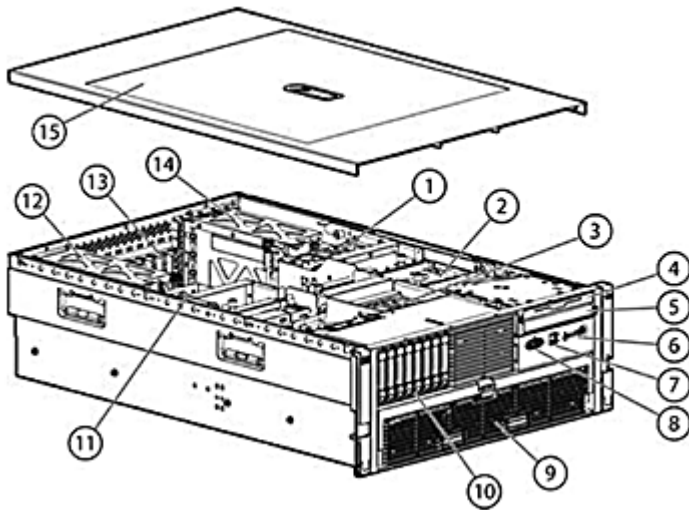
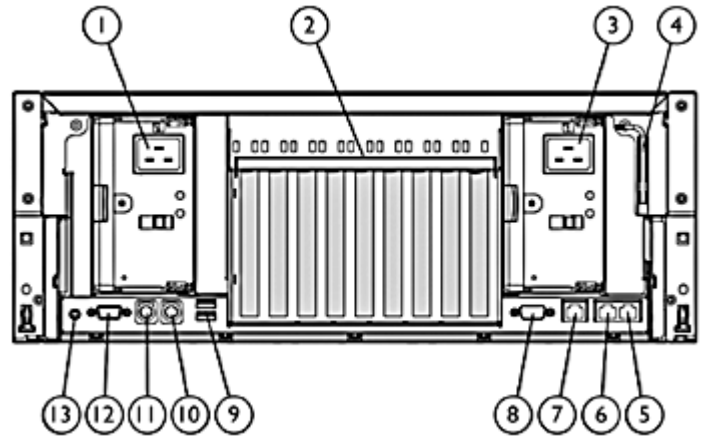


Overview



Front View:

1. Hot Plug Redundant Fans (standard)
2. System Insight Display
3. Hot Plug Redundant Fans (standard)
4. 1.44 MB Diskette Drive (optional)
5. DVD/CD-RW drive (standard)
6. Front Panel LED Display (internal and external health, Unit ID light) and Power Button
7. Two USB ports
8. One video port
9. Front accessible processor / memory cage
10. Eight bay Small Form Factor (SFF) Serial Attached SCSI (SAS) drive cage
11. 4U (7" Height) Rack Form Factor
12. Hot Plug Redundant Power Supply
13. Nine PCI I/O Slots (2 64-bit/100MHz PCI-X, 4 PCI-Express x4, 3 PCI-Express x8)
14. Hot Plug Redundant Power Supply
15. Removable Top Access Panel



Rear View:

1. Redundant hot-plug power supply (optional)
2. PCI Express and PCI-X non-hot-plug expansion slots
3. Hot-plug power supply (primary)
4. T-15 Torx screwdriver
5. NIC connector 2
6. NIC connector 1
7. Integrated Lights-Out 2 (iLO 2) connector
8. Serial connector
9. USB connectors (two)
10. Mouse connector
11. Keyboard connector
12. Video connector
13. Rear UID button and LED

What's New

- Support for AMD Opteron™ 8224SE processor (3.2GHz, 120 watt) CTO option

Overview

At A Glance

The HP ProLiant DL585 G2, the best price/performance x86 4-processor server in the industry, supports the AMD Rev F Opteron™ Dual-Core processors, enabling a huge boost in performance over single-core processors. The HP ProLiant DL585 G2 follows the award winning legacy of the HP ProLiant DL585 by offering exceptional price/performance and price per watt metrics. The ProLiant DL585 G2 continues to maintain price: performance leadership, especially with a variety of 32-bit application benchmarks. The 128 GB memory footprint enables most applications to run faster or support more users than other systems and with the inclusion of Rev F processors the ProLiant DL585 G2 has now been optimized for virtualization. The ProLiant DL585 G2 combines AMD Opteron™ processor technology, best-in-class management and outstanding uptime features in an enterprise-class system ideal for large data center deployments.

- **Processors:**
 - Dual-Core AMD 8200 Series Processors
- **Memory:**
 - Up to 128 GB of memory, supported by (32) slots of PC2-5300 Registered DIMMs at 667MHz
- **Storage Controller:**
 - HP Smart Array P400/256MB Controller (optional 512MB battery backed write cache)
 - HP Smart Array P400/512MB BBWC Controller standard on some models
- **Internal Drive Support:**
 - Up to 1.168TB (8 x 146GB SFF SAS hot plug drives)
 - Slimline floppy (optional) and slimline DVD/CD-RW (standard) drives
- **Network Controller:**
 - Two embedded NC371i Multifunction Gigabit Network Adapters with TCP/IP Offload Engine, including support for Accelerated iSCSI through an optional Licensing Kit
- **Expansion Slots:**
 - 9 total slots: (3) x8 PCI-Express; (4) x4 PCI-Express; (2) PCI-X (100MHz)
 - One slot populated with the Smart Array P400 Controller
- **Video Ports:**
 - One front and one rear video ports
- **USB Ports:**
 - (5) Total USB 2.0 Ports: (2) front; (2) rear; (1) internal
- **Redundancy:**
 - Redundant hot plug power supplies and fans
- **Management:**
 - Integrated Lights-Out 2 featuring Integrated Remote Console with KVM over IP performance over shared network access
 - Innovative diagnostic lighting (System Insight Display) for rapid response to service events
- **Form Factor:**
 - Delivering maximum performance in a versatile, rack optimized form factor
- **Deployment/Serviceability:**
 - Tool-less and virtually cable-less internal design
 - Rapid Deployment racking solution (rack rails and cable management)
- **Warranty:**
 - This product is covered by a global limited warranty and supported by HP Services and a worldwide network of HP Authorized Channel Partners resellers. Hardware diagnostic support and repair is available for three years from date of purchase. Support for software and initial setup is available for 90 days from date of purchase. Enhancements to warranty services are available through HP Care Pack services or customized service agreements. SATA hard drives have a one-year warranty.

NOTE: Server Warranty includes 3-Year Parts, 3-Year Labor, 3-Year Onsite support with next business day response. Additional information regarding worldwide limited warranty and technical support is available at:

<http://h18004.www1.hp.com/products/servers/platforms/warranty/index.html>

Standard Features

NOTE: For a brief, printer friendly data sheet that describes this product and informs you of the essential capabilities and specifications, please visit: <http://h71028.www7.hp.com/ERC/downloads/4AA0-7461ENW.pdf>.

Processor Two or four of the following depending on Model	AMD Opteron™ Processor 8224SE, Dual-Core (3.2 GHz, 120 Watts) NOTE: 2 or 4 supported.
	AMD Opteron™ Processor 8222, Dual-Core (3.0 GHz, 95 Watts) NOTE: 2 or 4 supported.
	AMD Opteron™ Processor 8222SE, Dual-Core (3.0 GHz, 120 Watts) NOTE: 2 or 4 supported.
	AMD Opteron™ Processor 8220, Dual-Core (2.8 GHz, 95 Watts) NOTE: 2 or 4 supported.
	AMD Opteron™ Processor 8220SE, Dual-Core (2.8 GHz, 120 Watts) NOTE: 2 or 4 supported.
	AMD Opteron™ Processor 8218, Dual-Core (2.6 GHz, 95 Watts) NOTE: 2 or 4 supported.
	AMD Opteron™ Processor 8216, Dual-Core (2.4 GHz, 95 Watts) NOTE: 2 or 4 supported.
	AMD Opteron™ Processor 8214, Dual-Core (2.2 GHz, 95 Watts) NOTE: 2 or 4 supported.
AMD Opteron™ Processor 8212, Dual-Core (2.0 GHz, 95 Watts) NOTE: 2 or 4 supported.	

Cache Memory	1 MB Integrated Level 2 Cache memory per core
---------------------	---

Upgradeability	HP ProLiant DL585 G2 servers can support up to 4 processors. Upgradeable to quad-core processors (when available)
-----------------------	--

Chipset	nVidia NForce Professional 2200 and 2050 chipsets, and AMD-8132 chipset
----------------	---

Memory Protection & Functionality	Advanced ECC
--	--------------

Memory	Type	PC2-5300 Registered DIMMs at 667 MHz
	Standard	2 GB (4 x 512 MB)
	One of the following depending on Model	4 GB (4 x 1 GB) 8 GB (8 x 1 GB)
	Maximum	128 GB (32 x 4 GB)

Network Controller	Two embedded NC371i Multifunction Gigabit Network Adapters with TCP/IP Offload Engine, including support for Accelerated iSCSI through an optional Licensing Kit
---------------------------	--

Standard Features

Expansion Slots	Bus speed	Bus number	PCI Voltage	Notes
1	64-bit / 100 MHz PCI-X	Bus 0x42 = 66	3.3 Volt	Half-length Slot
2	64-bit / 100 MHz PCI-X	Bus 0x42 = 66	3.3 Volt	
3	PCI-Express x4	Bus 0x49 = 73		
4	PCI-Express x4	Bus 0x4C = 76		
5	PCI-Express x8	Bus 0x46 = 70		
6	PCI-Express x4	Bus 0x4F = 79		
7	PCI-Express x8	Bus 0x02 = 2		
8	PCI-Express x8	Bus 0x05 = 5		
9	PCI-Express x4	Bus 0x08 = 8		Half-length slot; Reserved slot for Smart Array P400 Controller

NOTE: All slots are non-hot-plug Default bus assignment. Inserting cards with PCI bridges may alter the actual bus assignment number. Slots are enumerated differently based on the operating system. Microsoft operating systems enumerate from lowest to highest Device ID by bus (starting with the lowest bus).

Manageability Integrated Lights-Out 2 (iLO 2) Standard Management (ASIC on the System Board)

Storage Controllers HP Smart Array P400/256MB Controller (in a PCI-Express slot)
 One of the following depending on Model **NOTE:** Standard on 2.0GHz and 2.2GHz models.
 HP Smart Array P400/512MB BBWC Controller (in a PCI-Express slot)
NOTE: Standard on 2.4GHz, 2.6GHz, 2.8GHz, and 3.0GHz models.

Storage Data Protection The Battery-Backed Write Cache (BBWC) Enabler for the Smart Array P400 Controller protects up to 512-MB write cache memory from hard boot, power, controller, or system board failures.

- Standard on all HP ProLiant DL585 G2 Models
- Battery charge/life: Up to 72 hours/3 years
- Transportable data protection
- Increases overall controller performance

NOTE: Safely transport your write cache data to another HP ProLiant DL585 G2 in the data center by removing the BBWC Enabler and Smart Array P400 Controller Memory Module simultaneously (connected by short cable).

Storage

Diskette Drive	Optional 1.44 MB Diskette Drive (slimline) - ejectable for security and serviceability
Optical Drive	Slimline DVD/CD-RW Drive Standard on all models - ejectable for security and serviceability
Hard Drives	None ship standard
Hard Disk Drive Backplane	Internal SAS backplane supports up to eight SFF hard disk drives

Standard Features

Maximum Internal Storage Type	Hot Plug SAS	1.168TB	8 x 146GB SFF SAS drives (internal hot plug)
	Hot Plug SATA	960GB	8 x 120GB SFF SATA (internal hot plug)

Interfaces	Serial	1		
	Pointing Device (Mouse)	1		
	Video	1 front, 1 rear		
	Keyboard	1		
	USB 2.0 Ports	2 front, 2 rear, 1 internal		
	iLO 2 Remote Management	1		
	Network RJ-45	2		

Graphics	Integrated ATI-RN50 with 32MB DDR memory
----------	--

Form Factor	Rack (4U = 7 inches), ships with sliding rails and cable management system Space saving form factor (4U) provides space efficiencies while providing maximum deployment flexibility
-------------	--

HP Insight Control Management Suites

HP Insight Control Environment delivers foundation management, including remote monitoring, hardware resource deployment, health monitoring, software version control, performance monitoring, vulnerability scanning and patch management, and power management. HP Insight Control Environment installs and licenses the following components by default using a wizard-based integrated installer:

- HP Systems Insight Manager
- HP iLO Advanced Pack
- HP Rapid Deployment Pack
- HP Insight Power Manager
- HP Performance Management Pack
- HP Vulnerability and Patch Management Pack

Additional ProLiant Essentials software and management tools included on the Insight Control Management kit can be installed manually

- HP Server Migration Pack - Universal Edition
- HP Open Service Event Manager
- HP Instant Support Enterprise Edition

NOTE: Server Migration Pack - Universal Edition can be installed from the SMP Universal CD included in the Insight Control Management media kit.

NOTE: For additional product and licensing information about HP Insight Control Environment, visit: <http://www.hp.com/go/ice>.

HP Insight Control management suites and most HP ProLiant Essentials include a one year of 24 x 7 HP Software Technical Support and Update Service ensuring rapid access to HP support staff and proactive delivery of software updates. For more information about this service, please visit: <http://www.hp.com/services/insight>.

Standard Features

Server Management Stand Alone Software Product - ProLiant Essentials	HP Systems Insight Manager	HP Systems Insight Manager (HP SIM) provides a unified, secure and extensible standards-based environment to centrally manage servers, storage and other infrastructure devices, (both HP and non-HP) across multiple operating system platforms.
	ProLiant Essentials Rapid Deployment Pack	Rapid Deployment Pack (RDP) extends HP Systems Insight Manager with a complete deployment solution for HP ProLiant servers. RDP provides a central location to configure server hardware, deploy Windows, Linux and VMware ESX operating environments and install HP ProLiant Support Pack drivers using images and scripted profiles. For more information, visit: http://www.hp.com/go/rdp .
	ProLiant Essentials Server Migration Pack - Universal Edition	Upgrading, replacing, or virtualizing your existing server? Effortlessly transition to new virtual or physical HP ProLiant servers or BladeSystem with automated, accurate and affordable migration of OS, application and data. SMP Universal automates the manual processes required for migrating servers between physical or virtual platforms, whether migrating to VMware or Microsoft virtual machines. SMP Universal allows all of the following migrations: <ul style="list-style-type: none">○ physical to ProLiant○ physical to virtual○ virtual to virtual○ virtual to ProLiant
	ProLiant Essentials Performance Management Pack	Performance Management Pack (offered exclusively through the Insight Control suites) - a performance management solution that identifies and explains hardware performance bottlenecks on ProLiant servers and attached options enabling users to better utilize their valuable resources
Integrated Lights-Out Advanced Pack	Upgrades the iLO 2 processor with comprehensive remote control including Virtual KVM remote graphical console, enhanced console sharing and replay, virtual media (floppy, CD/DVD, USB key), virtual folders, and enterprise security (directory services and two-factor authentication).	
ProLiant Essentials Accelerated iSCSI Pack	Enables the embedded Multifunction network controller to serve as both a NIC and an iSCSI HBA providing access to SAN storage over the same connection used for networking. Processing of the protocol stack is offloaded to the NIC reducing CPU utilization and greatly improving the speed with which the requests are processed and sent to the network.	

NOTE: Flexible and volume quantity license kits are available for ProLiant Essentials Value Packs. Refer to: <http://www.hp.com/servers/proliantessentials> or the various ProLiant Essentials Value Pack product QuickSpecs for more information.

Standard Features

Core Infrastructure Management	SmartStart	SmartStart is a tool that simplifies server setup, providing a rapid way to deploy reliable and consistent server configurations. For more information, please visit the SmartStart Web site at: http://www.hp.com/servers/smartstart . SmartStart version supported (minimum): SmartStart 7.60.
	Insight Management Agents	The Insight Management Agents should be installed on all HP servers to present system instrumentation, health and configuration information into HP Systems Insight Manager and the HP System Management Homepage. The HP System Management Homepage aggregates systems data from Insight Management Agents and other HP management tools, providing a consolidated browser-based interface for managing individual servers. Insight Management Agents and The HP System Management Homepage are included on ProLiant Support Packs, and can also be installed using the server profiles provided with the ProLiant Essentials Rapid Deployment Pack. For additional information about the Management Agents and the HP System Management Homepage please visit the management Web site at: http://www.hp.com/servers/manage .
	Subscriber's Choice	Subscriber's Choice Driver and Support Alerts/Notifications is a web-based email subscription service that provides software and driver change notifications for ProLiant products. Sign up at: http://www.hp.com/go/subscriberschoice and customize your profile to receive various new alerts as they become available, on a weekly or monthly basis.
	ProLiant Support Packs and ROMPaq, software	The latest software, drivers, and firmware fully optimized and tested for your ProLiant server and options, available through ProLiant Support Packs the ProLiant Essentials Rapid Deployment Pack, SmartStart or downloaded from software and drivers download pages website at: http://www.hp.com/go/support .

Industry Standard Compliance	ACPI 1.0a. Compliant PCI 2.2 Compliant PXE Support WOL Support (with embedded NC371i Multifunction Gigabit Network Adapters) Physical Address Extension (PAE) Support Microsoft® Logo certifications USB 2.0 Support
------------------------------	--

Standard Features

Remote Management	Integrated Lights-Out 2 (iLO 2) Standard Management <ul style="list-style-type: none">● Virtual Text Remote Console (pre OS-only)● Remote Serial Console● Virtual Power Button Control● Virtual Unit ID control● Integrated Remote Console (ActiveX Control client)● Dedicated & full function shared network connectivity with VLAN● Embedded system health● Browser, command line and scripted access● Automatic IP Configuration via DHCP/DNS/WINS● Industry Standard 128-bit Secure Sockets Layer (SSL) and Secure Shell security (SSH)● Advanced Encryption Standard (AES) / Triple Data Encryption Standard (3DES)● OS independent hardware health status● IML and iLO Event Logging● Support for 12 user accounts with customizable access privilege
--------------------------	--

Intelligent Manageability	HP Systems Insight Manager SmartStart Redundant ROM Remote Flash ROM Management Agents Integrated Management Log (IML) Automatic Server Recovery-2 (ASR-2) ROM-Based Setup Utility (RBSU) Dynamic Sector Repairing (with Smart Array Controllers) Drive Parameter Tracking (with Smart Array Controllers) Pre-Failure Warranty (covers processors, SAS hard drives and memory) Redundant/adaptive load balancing NIC Support
----------------------------------	---

Availability	<ul style="list-style-type: none">● Smart Array P400 Controller with standard Battery Backed Write Cache (BBWC) Enabler provides transportable data protection and increases overall controller performance. Up to 512MB Battery Backed Write Cache protection available on all HP ProLiant DL585 G2 models.● Up to eight hot-plug SFF SAS Hard Drives● Dual Hot-Plug Redundant Power Supplies● Hot-Plug Redundant Fans (standard) Fans are N+1 hot plug redundant and individually removable.
---------------------	---

Standard Features

Serviceability

- System Insight Display - precisely depicts all major subsystems of the server (PCI I/O, Memory, CPU, Redundant Cooling, Interlock, Thermtrip) and gives instant visual indication of fault status. Located on top front of server, beneath lid.
- Tool-less, virtually cable-less interior design
 - Tool-less access to interior of server
 - Two ejectable, slimline Media Bay media drives (DVD/CD-RW standard with support for optional floppy or optical drives) are removable without the use of tools
 - Front accessible processors and memory
 - PCI Card Guides locks full length PCI cards in place during transit
 - Six individually removable fans connect without cables to the system board
 - Tool-less removal of system board
- Quick Deploy Rails
- Tool-less design "snap in" rail

Security

Power-on password
Keyboard password
Diskette drive control enable/disable
Diskette boot control enable/disable
External USB port enable/disable
Network Server Mode
Serial interface control
Administrator's password
Removable Diskette drive (optional)
Removable optical drive

Power Supply

910W (low line), 1300W (high line) with 12V main output. Size is 2.8"(H) X 4.9"(W) X 7.5"(L).
NOTE: One Hot Plug Power Supply ships standard with 2.0GHz and 2.2GHz models (optional Redundant Hot Plug Power Supply Option Kit).
NOTE: Two Hot Plug Power Supplies ship standard with 2.4GHz, 2.6GHz, 2.8GHz, and 3.0GHz models.

UPS and PDU Power Cord Matrix

Please see the UPS and PDU cable matrix that lists cable descriptions, requirements, and specifications for UPS and PDU units:
<http://h18004.www1.hp.com/products/servers/proliantstorage/power-protection/index.html>.

Server Power Cords

Asia Pacific	IEC320-C14 to IEC320-C19 Jumper Cord
Europe	IEC320-C14 to IEC320-C19 Jumper Cord
Japan	JIS C8303 to IEC320-C19 IEC320-C14 to IEC320-C19 Jumper Cord
PRC	IEC320-C14 to IEC320-C19 Jumper Cord
USA	IEC320-C14 to IEC320-C19 Jumper Cord

NOTE: The HP ProLiant DL585 G2 servers ship standard worldwide with a 6-foot IEC 320-C14 to IEC320-C19 jumper cord. Japanese models also include a 3.6 meter lowline (100V) power cord. If you require a local power cord, please check the Power Specifications below for the appropriate country-specific power cord, or consult the Power Cord Matrix: <http://www.hp.com/go/powercordmatrix>.

Standard Features

System Fans	Standard	6 Hot plug, redundant fans (individually removable)
	Maximum	6 Hot plug, redundant fans (individually removable)

Required Cabling For required cabling information, refer to the HP Web site at: www.hp.com/servers/dl585

OS Support

Microsoft Windows Server 2003
Microsoft Windows Server 2008
Red Hat Enterprise Linux
SUSE Linux Enterprise Server
Sun Solaris
VMware Virtualization Software

NOTE: For a more complete and up-to-date listing of supported OSs and versions, please visit our OS Support Matrix at: <http://www.hp.com/go/supportos>.

NOTE: For an up-to-date listing of the latest software and drivers available for your server, please select your server: <http://h20000.www2.hp.com/bizsupport/TechSupport/Product.jsp?lang=en&cc=us&taskId=135&prodTypeId=15351&prodCatId=241435>.

NOTE: For more Linux OS support & certification information, please visit our the ProLiant & BladeSystem Server Linux matrix at:
<http://h18004.www1.hp.com/products/servers/linux/hpLinuxcert.html>

NOTE: For more information on HP's Certified and Supported ProLiant Servers, please visit the VMware Server Support Matrix at:
<http://h18004.www1.hp.com/products/servers/software/vmware/hpvmwarecert.html>

NOTE: For more complete and up-to-date information on how to buy server operating systems from HP please visit the OS product site at: <http://h18004.www1.hp.com/products/servers/software/OEM.html>

Rack Airflow Requirements

Rack 10000 series Cabinets

The increasing power of new high-performance processor technology requires increased cooling efficiency for rack-mounted servers. The 10000 Series Racks provide enhanced airflow for maximum cooling, allowing these racks to be fully loaded with servers using the latest processors.

CAUTION: If a third-party rack is used, observe the following additional requirements to ensure adequate airflow and to prevent damage to the equipment:

- **Front and rear doors:** If your 42U server rack includes closing front and rear doors, you must allow 5,350 sq cm (830 square inches) of hole evenly distributed from top to bottom to permit adequate airflow (equivalent to the required 64 percent open area for ventilation).
- **Side:** The clearance between the installed rack component and the side panels of the rack must be a minimum of 7 cm (2.75 inches).

CAUTION: Always use blanking panels to fill all remaining empty front panel U-spaces in the rack. This arrangement ensures proper airflow. Using a rack without blanking panels results in improper cooling that can lead to thermal damage.

NOTE: For additional information, refer to the Setup and Installation Guide or the Documentation CD provided with the server, or to the server documentation located in the Support section at the following URL: www.hp.com/servers/dl585.

Standard Features

Rack Mounting Requirements

HP ProLiant DL585 G2 rack models provide tool-free support for racks with square or round mounting holes (including Compaq/HP 7000, 9000, 10000, HP/E series, H9 series and third party racks) with an adjustment range from 24" – 36" in depth. The ambidextrous cable management arm can be mounted on either the left or right side for improved cable management.

HP ProLiant DL585 G2 in Telco Racks Support for all 2-post Telco racks requires the use of the standard rack kit and an additional option kit from Rack Solutions (<http://www.racksolutions.com/hp/>)

Factory Express Portfolio for Servers and Storage

HP Factory Express offers configuration, customization, integration and deployment services for HP servers and storage products. Customers can choose how their factory solutions are built, tested, integrated, shipped and deployed.

Factory Express offers service packages for simple configuration, racking, installation, complex configuration and design services as well as individual factory services, such as image loading, asset tagging, and custom packaging. HP products supported through Factory Express include a wide array of servers and storage: HP Integrity, HP ProLiant, HP ProLiant Server Blades, HP BladeSystem, HP 9000 servers as well as the MSA1000, VA7xxx, EVA, XP, rackable tape libraries and configurable network switches.

For more information on Factory Express services for your specific server model, please contact your sales representative or go to <http://www.hp.com/go/factory-express>.

HP Enterprise Configurator

The HP eCo-Enterprise Configurator now provides factory default racking for our HP hardware portfolio. This approach is aligned with our strategic direction to meet the needs and expectations of our valued customers. If you require "custom" rack configuration, please contact HP's Customer Business Center or an Authorized Partner for assistance.

Service and Support

HP Care Pack services provide total care and support expertise with committed response designed to meet your IT and business needs.

HP Care Pack services include coverage for the HP branded hardware options qualified for the server and purchased at the same time or afterward that are internal to the enclosure. This also includes the 22" and smaller external monitors and tower UPS options up to 3kVA. These items will be covered at the same service level and for the same coverage period as the server. Coverage of UPS Battery is not included, and standard warranty terms & conditions apply. For servers or storage systems installed within a rack, service also covers all HP qualified rack options installed within the same rack.

To fully capitalizing on your HP ProLiant servers' capabilities requires a service partner who thoroughly understands your server technology and systems environment. HP Services, an industry leader in provision of multi vender support solutions, provides a range of support services designed to meet the varying needs of your business. Whether an SMB, or large global corporation, HP has a ProLiant server support offer to help you speedily deploy and maximize system uptime.

Recommended Service - simplify ProLiant solution implementation, maintenance, and management.

- Support: 3-Year 4-Hour response 24x7 Same Business Day Coverage only
- Deployment Service: Installation and Start up only

Enhanced Service - optimize service level to increase IT performance and availability.

Standard Features

- Support: 3-Year Support Plus 24 only

Refer to the information on "Installation & Start-Up" for service on ProLiant server and Microsoft or Linux O/S per the Customer Description and/or Data Sheet; to be delivered on a scheduled basis 8am-5pm, M-F, excluding HP holidays.

NOTE: For a complete listing of service offerings and information visit:

<http://www.hp.com/services/proliantservices>

<http://www.hp.com/go/proliant/carepack>

Solutions

Solutions

Designed for enterprise customers with growing data centers and application and Internet service providers that require a rack optimized 4-processor server that delivers maximum performance and high availability for highly complex, business critical applications. Specifically, the HP ProLiant DL585 G2 would be excellent for running the following types of applications:

Typical Usage:

- High Performance Computing (HPC)
- Electronic Design Automation (EDA)/Semiconductor
- Financial
- Large database applications
- ERP / CRM
- Petrochemical
- Life Science and Material Science
- Video Rendering

Models

Models

DL585R02 O3.0GHz-1 MB, 8 GB, 120W (4P Dual-Core) 448183-xx1	Processor(s)	(4) AMD Opteron™ Processor 8222SE, Dual-Core (3.0 GHz, 120 Watts)
	Cache Memory	1-MB Integrated Level 2 Cache
	Memory	8 x 1 GB of PC2-5300 DDR SDRAM (Standard) to 128 GB, running at 667 MHz
	Network Controller	Two embedded NC371i Multifunction Gigabit Network Adapters
	Storage Controller	HP Smart Array P400/512MB BBWC Controller
	Manageability	Integrated Lights-Out 2 (iLO 2) Standard management (integrated on system board)
	Hard Drives	None ship standard
	Internal Storage	1.168TB max (with optional 146GB SFF SAS Hot Plug hard drives)
	Power Supply	Two 910W/1300W Power Supplies standard (second power supply for redundancy)
	Optical Drive	Slimline DVD/CD-RW Drive (8X/24X) (ejectable)
Form Factor	Rack 4U	

DL585R02 O2.8GHz-1 MB, 8 GB, 95W (4P Dual-Core) 439727-xx1	Processor(s)	(4) AMD Opteron™ Processor 8220, Dual-Core (2.8 GHz, 95 Watts)
	Cache Memory	1-MB Integrated Level 2 Cache
	Memory	8 x 1 GB of PC2-5300 DDR SDRAM (Standard) to 128 GB, running at 667 MHz
	Network Controller	Two embedded NC371i Multifunction Gigabit Network Adapters
	Storage Controller	HP Smart Array P400/512MB BBWC Controller
	Manageability	Integrated Lights-Out 2 (iLO 2) Standard management (integrated on system board)
	Hard Drives	None ship standard
	Internal Storage	1.168TB max (with optional 146GB SFF SAS Hot Plug hard drives)
	Power Supply	Two 910W/1300W Power Supplies standard (second power supply for redundancy)
	Optical Drive	Slimline DVD/CD-RW Drive (8X/24X) (ejectable)
Form Factor	Rack 4U	

Models

DL585R02 O2.8GHz-1 MB, 8 GB, 120W (4P Dual-Core) 413930-xx1	Processor(s)	(4) AMD Opteron™ Processor 8220SE, Dual-Core (2.8 GHz, 120 Watts)
	Cache Memory	1-MB Integrated Level 2 Cache
	Memory	8 x 1 GB of PC2-5300 DDR SDRAM (Standard) to 128 GB, running at 667 MHz
	Network Controller	Two embedded NC371i Multifunction Gigabit Network Adapters
	Storage Controller	HP Smart Array P400/512MB BBWC Controller
	Manageability	Integrated Lights-Out 2 (iLO 2) Standard management (integrated on system board)
	Hard Drives	None ship standard
	Internal Storage	1.168TB max (with optional 146GB SFF SAS Hot Plug hard drives)
	Power Supply	Two 910W/1300W Power Supplies standard (second power supply for redundancy)
	Optical Drive	Slimline DVD/CD-RW Drive (8X/24X) (ejectable)
Form Factor	Rack 4U	

DL585R02 O2.6GHz-1 MB, 4 GB, 95W (2P Dual-Core) 413929-xx1	Processor(s)	(2) AMD Opteron™ Processor 8218, Dual-Core (2.6 GHz, 95 Watts) (2 or 4 supported)
	Cache Memory	1-MB Integrated Level 2 Cache
	Memory	4 x 1 GB of PC2-5300 DDR SDRAM (Standard) to 128 GB, running at 667 MHz
	Network Controller	Two embedded NC371i Multifunction Gigabit Network Adapters
	Storage Controller	HP Smart Array P400/512MB BBWC Controller
	Manageability	Integrated Lights-Out 2 (iLO 2) Standard management (integrated on system board)
	Hard Drives	None ship standard
	Internal Storage	1.168TB max (with optional 146GB SFF SAS Hot Plug hard drives)
	Power Supply	Two 910W/1300W Power Supplies standard (second power supply for redundancy)
	Optical Drive	Slimline DVD/CD-RW Drive (8X/24X) (ejectable)
Form Factor	Rack 4U	

Models

DL585R02 O2.4 GHz-1 MB, 2 GB, 95W (2P Dual-core) 413928-xx1	Processor(s)	(2) AMD Opteron™ Processor 8216, Dual-Core (2.4 GHz, 95 Watts) (2 or 4 supported)
	Cache Memory	1-MB Integrated Level 2 Cache
	Memory	4 x 512 MB of PC2-5300 DDR SDRAM (Standard) to 128 GB, running at 667 MHz
	Network Controller	Two embedded NC371i Multifunction Gigabit Network Adapters
	Storage Controller	HP Smart Array P400/512MB BBWC Controller
	Manageability	Integrated Lights-Out 2 (iLO 2) Standard management (integrated on system board)
	Hard Drives	None ship standard
	Internal Storage	1.168GB max (with optional 146GB SFF SAS Hot Plug hard drives)
	Power Supply	Two 910W/1300W Power Supplies standard (second power supply for redundancy)
	Optical Drive	Slimline DVD/CD-RW Drive (8X/24X) (ejectable)
Form Factor	Rack 4U	

DL585R02 O2.2 GHz-1 MB, 2 GB, 95W (2P Dual-Core) 418550-xx1	Processor(s)	(2) AMD Opteron™ Processor 8214, Dual-Core (2.2 GHz, 95 Watts) (2 or 4 supported)
	One of the following depending on Model	(2) AMD Opteron™ Processor 8212, Dual-Core (2.0 GHz, 95 Watts) (2 or 4 supported)
	Cache Memory	1 MB Integrated Level 2 Cache
	Memory	4 x 512 MB of PC2-5300 DDR SDRAM (Standard) to 128 GB, running at 667 MHz
	Network Controller	Two embedded NC371i Multifunction Gigabit Network Adapters
	Storage Controller	HP Smart Array P400/256MB Controller
	Manageability	Integrated Lights-Out 2 (iLO 2) Standard management (integrated on system board)
	Hard Drives	None ship standard
	Internal Storage	1.168TB max (with optional 146GB SFF SAS Hot Plug hard drives)
	Power Supply	One 910W/1300W Power Supply standard (second power supply for redundancy is optional)
Optical Drive	Slimline DVD/CD-RW Drive (8X/24X) (ejectable)	
Form Factor	Rack 4U	

Country Code Key	XX=00	US
	XX=20	Brazil
	XX=29	Japan
	XX=37	A/P
	XX=42	Europe
	XX=AA	PRC

Configuration Information - Factory Integrated Models

NOTE: This section lists some of the steps required to configure a Factory Integrated Model. To ensure only valid configurations are ordered, HP recommends the use of an HP approved configurator. Contact your local sales representative for information on CTO product offerings and requirements.

NOTE: HP does not allow factory integration of options into standard models listed above. Configure-to-order servers must start with a CTO Chassis.

NOTE: This product offering does not support HP Factory Express Server Configuration Level 1.

NOTE: FIO indicates that this option only available as a Factory Installable Option.

Step 1: Base Configuration

Models	HP ProLiant DL585 G2 Rack CTO Chassis	418633-B21
	Factory Integrated Models ship with:	
	Two embedded NC371i Multifunction Gigabit Network Adapters	
	Integrated Lights-Out 2 (iLO 2) Standard management	
	Six (6) Redundant Hot Plug Fans	
	One Hot Plug Power Supply	
	Rack 4U Form Factor	

Step 2: Choose Required Options (only one of the following from each list unless otherwise noted)

Processors	AMD Opteron™ 8224SE 3.2 GHz-1 MB Dual-Core Processor (120W) 2P Option Kit	458932-L21
	NOTE: If four processors are desired, select one 458932-L21 and one 458932-B21.	
	AMD Opteron™ 8222 3.0 GHz-1 MB Dual-Core Processor (95W) 2P Option Kit	458933-L21
	NOTE: If four processors are desired, select one 458933-L21 and one 458933-B21.	
	AMD Opteron™ 8222SE 3.0 GHz-1 MB Dual-Core Processor (120W) 2P Option Kit	448184-L21
	NOTE: If four processors are desired, select one 448184-L21 and one 448184-B21.	
	AMD Opteron™ 8220 2.8 GHz-1 MB Dual-Core Processor (95W) 2P Option Kit	439728-L21
	NOTE: If four processors are desired, select one 439728-L21 and one 439728-B21.	
	AMD Opteron™ 8220SE 2.8 GHz-1 MB Dual-Core Processor (120W) 2P Option Kit	413934-L21
	NOTE: If four processors are desired, select one 413934-L21 and one 413934-B21.	
	AMD Opteron™ 8218 2.6 GHz-1 MB Dual-Core Processor 2P Option Kit	413933-L21
	NOTE: If four processors are desired, select one 413933-L21 and one 413933-B21.	
	AMD Opteron™ 8216 2.4 GHz-1 MB Dual-Core Processor 2P Option Kit	413932-L21
	NOTE: If four processors are desired, select one 413932-L21 and one 413932-B21.	
	AMD Opteron™ 8214 2.2 GHz-1 MB Dual-Core Processor 2P Option Kit	416734-L21
	NOTE: If four processors are desired, select one 416734-L21 and one 416734-B21.	
	AMD Opteron™ 8212 2.0 GHz 1 MB Dual-Core Processor 2P Option Kit	413931-L21
	NOTE: If four processors are desired, select one 413931-L21 and one 413931-B21.	

Configuration Information - Factory Integrated Models

Base Memory	1 GB PC2-5300 DDR2 (2 x 512 MB) Kit, single rank	408850-B21
	2 GB PC2-5300 DDR2 (2 x 1 GB) Kit, single rank	408851-B21
	4 GB PC2-5300 DDR2 (2 x 2 GB) Kit, dual rank	408853-B21
	8 GB REG PC2-5300 (2 x 4 GB) Kit, dual rank	408854-B21

NOTE: Memory must be ordered in like-pairs, i.e. two of the same size.

NOTE: If all four banks on a memory node are populated, the maximum memory clock speed will be 533 MHz. If two or fewer banks on a memory node are populated, the maximum memory clock speed will be 667 MHz.

Storage Controllers	HP Smart Array P800/512 BBWC Controller	381513-B21
	HP Smart Array P600/256 BBWC Controller	337972-B21
	HP Smart Array P600/512 BBWC Controller, Factory Integrated Only	432103-B21
	HP Smart Array P400/256MB Controller	405132-B21
	HP Smart Array P400/512MB BBWC Controller	411064-B21
	HP 8 Internal Port SAS HBA with RAID	347786-B21
	HP Smart Array 6404/512 FIO CNTRLR	452240-B21

Optical Drives	NOTE: Optical drives are ejectable.	
	Slimline CD-RW/DVD-ROM 24X Combo Drive Option Kit	331903-B21
	Slimline DVD-ROM Drive (8X/24X) Option Kit (Servers)	264007-B21
	HP DVD±R/RW 8X Slim	383975-B21

Step 3: Choose Additional Options for Factory Integration

NOTE: Select from "Options" section below.

Options

NOTE: Some options may not be factory integratable. Please contact your local sales representative for additional information.

HP ProLiant DL585 G2 Unique Options	AMD Opteron™ 8224SE 3.2 GHz-1 MB Dual-Core Processor (120 Watts) 2P Option Kit	458932-B21
	AMD Opteron™ 8222 3.0 GHz-1 MB Dual-Core Processor (95 Watts) 2P Option Kit	458933-B21
	AMD Opteron™ 8222SE, Dual-Core Processor (3.0 GHz, 120 Watts) 2P Option Kit	448184-B21
	AMD Opteron™ 8220, Dual-Core Processor (2.8 GHz, 95 Watts) 2P Option Kit	439728-B21
	AMD Opteron™ 8220SE, Dual-Core Processor (2.8 GHz, 120 Watts) 2P Option Kit	413934-B21
	AMD Opteron™ 8218, Dual-Core Processor (2.6 GHz, 95 Watts) 2P Option Kit	413933-B21
	AMD Opteron™ 8216, Dual-Core Processor (2.4 GHz, 95 Watts) 2P Option Kit	413932-B21
	AMD Opteron™ 8214, Dual-Core Processor (2.2 GHz, 95 Watts) 2P Option Kit	416734-B21
	AMD Opteron™ 8212, Dual-Core Processor (2.0 GHz, 95 Watts) 2P Option Kit	413931-B21

HP Insight Control Management Suites

NOTE: Electronic licensing options are available for Insight Control suites software products. Please see the appropriate Insight Control QuickSpecs for additional information.

HP Insight Control Environment

HP Insight Control Environment, No Media 1-Server License including 1 year of 24x7 Technical Support and Updates

452148-B22

NOTE: This part number can be purchased as a single license or as multiple licenses with a single activation key. Customer will receive a license entitlement certificate via e-mail. The license entitlement certificate must be redeemed online or via fax in order to obtain the license activation key(s). Includes one year of 24 x 7 HP Software Technical Support and Update Service. Only available directly from HP and select resellers in the Americas region.

HP Insight Control Management Software Media Kit

436222-B21

NOTE: Insight Control Management DVD media without licenses. Contains Insight Manager and Essentials software products and components licensed by Insight Control Management suites. Uses an integrated installer to perform quick and accurate software installation and updates.

NOTE: For additional License Kits, please see the QuickSpecs at:

http://h18000.www1.hp.com/products/quickspecs/12631_div/12631_div.html

Server Management Stand Alone Software Product - ProLiant Essentials

NOTE: Electronic licensing options are available for select ProLiant Essentials software products. Please see the appropriate ProLiant Essentials QuickSpecs for additional information.

Deploy

ProLiant Essentials Rapid Deployment Pack

ProLiant Essentials Rapid Deployment Pack No Media 1-Server License including 1 year of 24x7 Technical Support and Updates

452151-B21

NOTE: This license allows 1 server to be deployed and managed via RDP. Customer will receive a printed license entitlement certificate via physical shipment. The license entitlement certificate must be redeemed online or via fax in order to obtain the license activation key(s). Includes one year of 24 x 7 HP Software Technical Support Service

Options

NOTE: For additional License Kits, please see the QuickSpecs at:

http://h18000.www1.hp.com/products/quickspecs/11053_div/11053_div.html

HP Server Migration Pack - Universal Edition

HP Server Migration Pack - Universal Edition, No Media, Physical / Virtual to ProLiant Single Migration License, including 1 year of 24x7 Technical Support and Updates 460750-B21
NOTE: This license allows 1 physical to ProLiant or virtual to ProLiant migration. Customer will receive a printed license entitlement certificate and documentation via physical shipment. The license entitlement certificate must be redeemed online or via fax in order to obtain the license activation key(s). Includes one year of 24 x 7 HP Software Technical Support and Update Service.

HP Server Migration Pack - Universal Edition, No Media, Physical / Virtual to Virtual Single Migration License, including 1 year of 24x7 Technical Support and Updates 460753-B21
NOTE: This license allows 1 physical to virtual or virtual to virtual migration. Customer will receive a printed license entitlement certificate and documentation via physical shipment. The license entitlement certificate must be redeemed online or via fax in order to obtain the license activation key(s). Includes one year of 24 x 7 HP Software Technical Support and Update Service.

HP Server Migration Pack - Universal Edition, No Media, 1-Year Unlimited Migration License, including 1 year of 24x7 Technical Support 460756-B21
NOTE: This license allows unlimited migrations (physical to ProLiant, physical to virtual, virtual to virtual, and virtual to ProLiant) for one year. Customer will receive a printed license entitlement certificate and documentation via physical shipment. The license entitlement certificate must be redeemed online or via fax in order to obtain the license activation key(s). Includes one year of 24 x 7 HP Software Technical Support Service

NOTE: For additional License Kits, please see the QuickSpecs at:

http://h18000.www1.hp.com/products/quickspecs/12855_div/12855_div.html

Control

Integrated Lights-Out Select Pack

ProLiant Essentials Integrated Lights-Out Select Pack, No Media, 1-Server License 452158-B21
NOTE: For additional License Kits, please see the QuickSpecs at:
http://h18000.www1.hp.com/products/quickspecs/12362_div/12362_div.html

Integrated Lights-Out Advanced Pack

Integrated Lights-Out Advanced Pack, No Media, 1 Server License 452141-B21
NOTE: For additional License Kits, please see the QuickSpecs at:
http://h18000.www1.hp.com/products/quickspecs/10861_div/10861_div.html

Optimize

Accelerated iSCSI Pack

ProLiant Essentials Accelerated iSCSI Pack, No Media, Single License 452679-B21
NOTE: For use with a single NIC port. Contains one license with a unique license activation key and documentation.

NOTE: For additional License Kits, please see the QuickSpecs at:

http://h18000.www1.hp.com/products/quickspecs/12466_div/12466_div.html

ProLiant Essentials Virtual Machine Management Pack

Options

ProLiant Essentials Virtual Machine Management Pack, No Media, 1-Server License, including 1 year of 24x7 Technical Support and Updates 452153-B21

NOTE: Customer will receive a printed license entitlement certificate via physical shipment. The license entitlement certificate must be redeemed online or via fax in order to obtain the license activation key(s). Includes one year of 24 x 7 HP Software Technical Support and Update Service.

NOTE: For additional License Kits, please see the QuickSpecs at:
http://h18000.www1.hp.com/products/quickspecs/12328_div/12328_div.html

RDMA Pack

RDMA Pack for Embedded Multifunction Gigabit Server Adapters, No Media, 1-Server License 452681-B21

NOTE: For additional License Kits, please see the QuickSpecs at:
http://h18000.www1.hp.com/products/quickspecs/12573_div/12573_div.html

NOTE: Flexible and volume quantity license kits are available for ProLiant Essentials Value Packs. Refer to: <http://www.hp.com/servers/proliantessentials> or the various ProLiant Essentials QuickSpecs for more information.

Processors

AMD Opteron™ 8224SE 3.2 GHz-1 MB Dual-Core Processor (120 Watts) 2P Option Kit	458932-B21
AMD Opteron™ 8222 3.0 GHz-1 MB Dual-Core Processor (95 Watts) 2P Option Kit	458933-B21
AMD Opteron™ 8222SE, Dual-Core Processor (3.0 GHz, 120 Watts) 2P Option Kit	448184-B21
AMD Opteron™ 8220, Dual-Core Processor (2.8 GHz, 95 Watts) 2P Option Kit	439728-B21
AMD Opteron™ 8220SE, Dual-Core Processor (2.8 GHz, 120 Watts) 2P Option Kit	413934-B21
AMD Opteron™ 8218, Dual-Core Processor (2.6 GHz, 95 Watts) 2P Option Kit	413933-B21
AMD Opteron™ 8216, Dual-Core Processor (2.4 GHz, 95 Watts) 2P Option Kit	413932-B21
AMD Opteron™ 8214, Dual-Core Processor (2.2 GHz, 95 Watts) 2P Option Kit	416734-B21
AMD Opteron™ 8212, Dual-Core Processor (2.0 GHz, 95 Watts) 2P Option Kit	413931-B21

Memory (DIMMs)

1 GB PC2-5300 DDR2 (2 x 512 MB) Kit, single rank	408850-B21
2 GB PC2-5300 DDR2 (2 x 1 GB) Kit, single rank	408851-B21
4 GB PC2-5300 DDR2 (2 x 2 GB) Kit, dual rank	408853-B21
8 GB REG PC2-5300 (2 x 4 GB) Kit, dual rank	408854-B21

Diskette Drive

Slimline Floppy Diskette Drive Option Kit 390164-B21
NOTE: Ejectable drive.

Optical Drives

Slimline CD-RW/DVD-ROM Combo Drive Option Kit	331903-B21
Slimline DVD-ROM Drive (8X/24X) Option Kit (Servers)	264007-B21
HP DVD±R/RW 8X Slim	383975-B21
Slimline CD-ROM Drive 24X	356963-B21

Options

Hard Drives

SFF SATA Hard Disk Drives – Hot Plug

HP 120 GB 1.5G SATA 5.4K SFF HDD 431786-B21

HP 60 GB 1.5G SATA 5.4K SFF HDD 379306-B21

NOTE: SATA drives have a 1 year warranty. Please see the SATA Hard Drive QuickSpecs for Technical Specifications such as capacity, height, width, interface, transfer rate, seek time, physical configuration, and operating temperature:

http://h18000.www1.hp.com/products/quickspecs/11940_div/11940_div.html
(Worldwide)

SFF SAS Hard Disk Drives – Hot Plug

HP 146 GB 3G SAS 10K SFF SP HDD 431958-B21

HP 72 GB 3G SAS 10K SFF SP HDD 375861-B21

HP 72 GB 3G SAS 15K SFF SP HDD 431935-B21

HP 36 GB 3G SAS 15K SFF SP HDD 431933-B21

NOTE: Please see the SFF SAS Hard Drive QuickSpecs for Technical Specifications such as capacity, height, width, interface, transfer rate, seek time, physical configuration, and operating temperature:

http://h18000.www1.hp.com/products/quickspecs/12244_div/12244_div.html
(Worldwide)

Storage Controllers

SCSI Controllers for External Drive/Storage Support

Smart Array 6402/128 Controller 273915-B21

Smart Array 6404/256 Controller 273914-B21

Smart Array 642 Controller 291967-B21

128-MB BBWC (Battery-Backed Write Cache) Enabler 351580-B21

NOTE: This 128MB BBWC supports the Smart Array 642 Controller.

Ultra320 Expansion Module for SA-6402 273911-B21

64-Bit/133-MHz Single Channel Ultra320 SCSI HBA G2 374654-B21

SCSI HBA

HP SC11Xe Host Bus Adapter 412911-B21

NOTE: Please see the following QuickSpecs for Technical Specifications and additional information:

http://h18000.www1.hp.com/products/quickspecs/11587_div/11587_div.html
(Smart Array 6400 Series)

http://h18000.www1.hp.com/products/quickspecs/12069_div/12069_div.html
(Smart Array 642)

http://h18000.www1.hp.com/products/quickspecs/11943_div/11943_div.html
(U320 SCSI G2 HBA)

http://h18000.www1.hp.com/products/quickspecs/12566_div/12566_div.html
(SC11Xe HBA)

SAS Controller

Smart Array E500 Controller

HP Smart Array E500/256 MB Controller 435129-B21

Smart Array P400 Controller

Options

HP Smart Array P400/256 MB Controller	405132-B21
NOTE: The Smart Array P400 Controller supports internal Serial Attached SCSI and Serial ATA drives. It is supported in all HP ProLiant DL585 G2 Models.	
HP Smart Array P400/512 MB BBWC Controller	411064-B21
NOTE: The Smart Array P400 Controller supports internal Serial Attached SCSI and Serial ATA drives. It is supported in all HP ProLiant DL585 G2 Models.	
512 MB DDR BBWC Upgrade	405148-B21
NOTE: For Smart Array P400 Controller only.	
NOTE: If you install the 512MB DDR BBWC as an upgrade to a Smart Array P400/256MB Controller, you must also order part 417836-B21 (HP Smart Array P400 24 Inch Battery Cable Kit).	
Battery-backed write cache upgrade	383280-B21
NOTE: For Smart Array P400 Controller only.	
NOTE: If you install the Battery-backed write cache as an upgrade to a Smart Array P400/256MB Controller, you must also order part 417836-B21 (HP Smart Array P400 24 Inch Battery Cable Kit).	
Smart Array P600 Controller	
HP Smart Array P600/256 BBWC Controller	337972-B21
NOTE: The Smart Array P600 Controller supports internal and external Serial Attached SCSI and Serial ATA drives. It is supported in all HP ProLiant DL585 G2 Models.	
512 MB DDR BBWC Upgrade	372538-B21
NOTE: For Smart Array P600 Controller only.	
Smart Array P800 Controller	
HP Smart Array P800/512 BBWC Controller	381513-B21
NOTE: Please see the following Controller QuickSpecs for Technical Specifications and additional information: http://h18000.www1.hp.com/products/quickspecs/12700_div/12700_div.html (Smart Array E500 Controller) http://h18000.www1.hp.com/products/quickspecs/12400_div/12400_div.html (Smart Array P400 Controller) http://h18000.www1.hp.com/products/quickspecs/12247_div/12247_div.html (Smart Array P600 Controller) http://h18000.www1.hp.com/products/quickspecs/12616_div/12616_div.html (Smart Array P800 Controller)	
SAS HBA	
HP SC44Ge Host Bus Adapter	416096-B21
HP 8 Internal Port SAS HBA with RAID	347786-B21
NOTE: Please see the following QuickSpecs for additional information: http://h18004.www1.hp.com/products/quickspecs/12617_div/12617_div.html (SC44Ge HBA) http://h18004.www1.hp.com/products/quickspecs/12332_div/12332_div.html (SAS HBA)	

Options

Communications	HP NC110T PCI Express Gigabit Server Adapter	434905-B21
	HP NC360T PCI Express Dual Port Gigabit Server Adapter	412648-B21
	HP NC364T PCI Express Quad Port Gigabit Server Adapter	435508-B21
	NOTE: There is a maximum of five NC364T PCI Express Quad Port Gigabit Server Adapter NICs allowed in this server.	
	HP NC373F PCI Express Multifunction Gigabit Server Adapter	394793-B21
	HP NC373T PCI Express Multifunction Gigabit Server Adapter	394791-B21
	HP NC380T PCI Express Dual Port Multifunction Gigabit Server Adapter	394795-B21
	HP NC510C PCIe 10 Gigabit Server Adapter	414129-B21
	NOTE: A minimum of 1 gigabyte (1 GB) of server memory is required per each NC510C adapter.	
	HP NC510F PCIe 10 Gigabit Server Adapter	414126-B21
NOTE: A minimum of 1 gigabyte (1 GB) of server memory is required per each NC510F adapter.		
HP NC7170 PCI-X Dual Port 1000T Gigabit Server Adapter	313881-B21	
HP NC7771 PCI-X 1000T Gigabit Server Adapter	290563-B21	

HPC Specific Options	HP IB 4X SDR PCI-e single PORT HCA	431038-B21
	HP IB 4X DDR PCI-e Single PORT HCA	431039-B21
	HP IB 4X DDR PCI-e Dual Port HCA	409376-B21
	HP IB 4X DDR PCI-e SINGLE PORT HCA	448398-B21
	HP IB 4X DDR Conn-X PCI-e Dual Port HCA	448397-B21

Redundant Options	910W (low line), 1300W (high line) Hot Plug Redundant Power Supply US – includes Nema 5-15P to IEC320-C19 power cord	348114-001
	910W (low line), 1300W (high line) Hot Plug Redundant Power Supply - includes C14 to C19 IEC power jumper cable	348114-B21
	NOTE: If you require a local power cord, please check the Power Specifications below for the appropriate country-specific power cord, or consult the Power Cord Matrix: http://www.hp.com/go/powercordmatrix .	

Tape Drives

NOTE: For the complete listing of Tape Drive offerings, please see: <http://www.hp.com/products1/storage/compatibility/tapebackup/ISS/index.html>

For recommended tape drive offerings for this ProLiant server see the following:

USB Tape Drives

HP StorageWorks 1U USB Rack-Mount Kit with one DAT 160 USB drive AG703A

SAS Tape Drives

NOTE: For the DL585 G2, HP recommends purchasing the HP SC44Ge HBA (416096-B21) for a dedicated SAS HBA for tape.

HP StorageWorks LTO-2 Ultrium 448 SAS Internal Tape Drive DW085A

NOTE: HP recommends combining this tape drive with the 1U SAS Rack-Mount kit (AE459A) for a complete rack-mount solution.

Options

HP StorageWorks LTO-3 Ultrium 920 SAS Internal Tape Drive EH847A

NOTE: HP recommends combining this tape drive with the 1U SAS Rack-Mount kit (AE459A) for a complete rack-mount solution.

HP StorageWorks LTO-4 Ultrium 1840 SAS Internal Tape Drive EH860A

NOTE: HP recommends combining this tape drive with the 3U SAS Rack-Mount kit (AG576A) for a complete rack-mount solution.

NOTE: Please refer to the "Tape Drives, Tape Autoloaders & Tape Libraries" table in the Storage section of this document for a list of SAS controllers with tape support.

SCSI Tape Drives

NOTE: For the DL585 G2, HP recommends purchasing the HP SC11Xe HBA (412911-B21) for a dedicated SCSI HBA for tape.

HP StorageWorks 1U SCSI Rack-mount kit with one LTO-2 Ultrium 448 (Carbonite) DW028B

HP StorageWorks 1U SCSI Rack-mount kit with one LTO-3 Ultrium 920 EH903A

HP StorageWorks 3U SCSI Rack-Mount with 1 LTO-4 Ultrium 1840 Tape Drive EH926A

NOTE: Please see the HP StorageWorks Ultrium Tape Drive QuickSpecs for additional options such as controllers, media, and other related items:

http://h18006.www1.hp.com/products/quickspecs/11739_div/11739_div.html
(Worldwide)

http://h18006.www1.hp.com/products/quickspecs/12128_div/12128_div.html
(Worldwide)

For an up-to-date listing of the latest O/S and software support details for HP Ultrium tape drives, please visit: <http://www.hp.com/go/connect>

Rack-Mount Tape Drive Enclosures

HP StorageWorks 1U SCSI Rack-Mount kit A7445B

NOTE: The 1U Rack-Mount Kit can support up to (2) half-height tape drives and is compatible with multiple Single-Ended and LVD SCSI tape drives including the DAT 40, DAT 72, DAT 160, DLT VS160, LTO-1 Ultrium 232, LTO-2 Ultrium 448 and LTO-3 Ultrium 920 tape drives.

HP StorageWorks 1U USB Rack-Mount Kit A8007A

NOTE: The 1U USB Rack-Mount Kit can support up to (2) half-height tape drives and is compatible with the DAT 40 USB, DAT 72 USB and DAT 160 tape drives.

HP StorageWorks 1U SAS Rack-Mount Kit AE459A

NOTE: The 1U SAS Rack-Mount Kit can support up to (2) half-height tape drives and is compatible with the LTO-2 Ultrium 448 SAS and LTO-3 Ultrium 920 SAS tape drives.

HP StorageWorks 3U Rack-mount kit 274338-B22

NOTE: The 3U Rack-mount Kit can support up to (2) full-height or (4) half-height tape drives and compatible with multiple LVD SCSI tape drives including DAT 40, DAT 72, DLT VS160, SDLT 600, LTO-1 Ultrium 232, LTO-2 Ultrium 460, LTO-2 Ultrium 448, LTO-3 Ultrium 920, LTO-3 Ultrium 960 and LTO-4 Ultrium 1840 tape drives.

HP StorageWorks 3U SAS Rack-mount Kit AG576A

NOTE: The 3U Rack-mount Kit can support up to (2) full-height or (4) half-height tape drives and compatible with multiple SAS tape drives including DAT 160 SAS, LTO-2 Ultrium 448 SAS, LTO-3 Ultrium 920 SAS, and LTO-4 Ultrium 1840 SAS tape drives.

NOTE: Please see the Rack-Mount Tape Drive Kits QuickSpecs for additional information regarding these kits:

http://h18000.www1.hp.com/products/quickspecs/10854_div/10854_div.html
(Worldwide)

Options

HP D2D Backup System	HP StorageWorks D2D110 Backup System	EH880A
	NOTE: 1TB of Disk Storage	
	HP StorageWorks D2D110 Backup System with Data Protector Express Software Kit	EH923A
	NOTE: 1TB of Disk Storage	
	HP StorageWorks D2D120 Backup System	EH884A
	NOTE: 2TB of Disk Storage	
	HP StorageWorks D2D120 Backup System with Data Protector Express Software Kit	EH924A
	NOTE: 2TB of Disk Storage	
HP D2D Backup System	HP StorageWorks D2D130 Backup System	EH950A
	NOTE: 3TB of Disk Storage.	
	HP StorageWorks D2D130 Backup System with Data Protector Express Software Kit	EH951A
	NOTE: 3TB of Disk Storage.	
	HP StorageWorks D2D130 Backup System with LTO-3 Ultrium 920 SAS Tape Drive	EH952A
	NOTE: 3TB of Disk Storage.	
NOTE: Please see the HP D2D Backup Systems QuickSpecs for additional information: http://h18000.www1.hp.com/products/quickspecs/12651_div/12651_div.html (Worldwide)		

Tape Autoloaders	HP StorageWorks DAT Autoloader	
	HP StorageWorks DAT 72x10 tape autoloader	AE313B
	HP StorageWorks 1/8 Tape Autoloader	
	HP StorageWorks 1/8 G2 LTO-4 Ultrium 1760 SAS Tape Autoloader	AK377A
	HP StorageWorks 1/8 G2 LTO-3 Ultrium 920 Tape Autoloader	AH165A
	HP StorageWorks 1/8 G2 LTO-3 Ultrium 920 SAS Autoloader	AH558A
	HP StorageWorks 1/8 G2 LTO-2 Ultrium 448 Tape Autoloader	AH164A
	HP StorageWorks 1/8 G2 LTO-1 Ultrium 232 Tape Autoloader	AH163A
	HP StorageWorks 1/8 G2 Tape Autoloader Rack Kit	AH166A
	NOTE: Required to install the 1/8 G2 Autoloaders in a standard 19-inch rack; includes rails and rackmount instructions	
NOTE: Please reference the Tape Autoloader QuickSpecs at: http://www.hp.com/go/automation for additional information needed to create a complete solution.		

Options

Tape Libraries

HP StorageWorks MSL2024 Tape Library

HP StorageWorks MSL2024 1 LTO-4 Ultrium 1840 SCSI Drive Library	AJ033A
HP StorageWorks MSL2024 1 LTO-4 Ultrium 1840 4GB FC Library	AJ034A
HP StorageWorks MSL2024 1 LTO-4 Ultrium 1760 SAS Drive Library	AK378A
HP StorageWorks MSL2024 1 LTO-3 Ultrium 960 SCSI Drive Library	AG115A
HP StorageWorks MSL2024 1 LTO-3 Ultrium 960 4GB FC Library	AG326B
HP StorageWorks MSL2024 1 LTO-3 Ultrium 920 SAS Drive Library	AH559A
HP StorageWorks MSL2024 1 LTO-3 Ultrium 920 SCSI Drive Library	AH169A
HP StorageWorks MSL2024 1 LTO-2 Ultrium 448 SCSI Drive Library	AG116A

HP StorageWorks MSL4048 Tape Library

HP StorageWorks MSL4048 1 LTO-4 Ultrium 1840 SCSI Drive Library	AJ035A
HP StorageWorks MSL4048 1 LTO-4 Ultrium 1840 4GB FC Library	AJ036A
HP StorageWorks MSL4048 2 LTO-4 Ultrium 1760 SAS Drive Library	AK380A
HP StorageWorks MSL4048 1 LTO-3 Ultrium 960 SCSI Drive Library	AG322A
HP StorageWorks MSL4048 1 LTO-3 Ultrium 960 4GB FC Library	AG324B
HP StorageWorks MSL4048 1 LTO-3 Ultrium 920 SAS Drive Library	AH560A
HP StorageWorks MSL4048 1 LTO-3 Ultrium 920 SCSI Drive Library	AH171A
HP StorageWorks MSL4048 1 LTO-2 Ultrium 448 SCSI Drive Library	AG320A

HP StorageWorks MSL8096 Tape Library

HP StorageWorks MSL8096 2 LTO-4 Ultrium 1840 SCSI Drive Library	AJ039A
HP StorageWorks MSL8096 2 LTO-4 Ultrium 1840 4GB FC Library	AJ040A
HP StorageWorks MSL8096 2 LTO-4 Ultrium 1760 SAS Drive Library	AK382A
HP StorageWorks MSL8096 2 LTO-3 Ultrium 920 SAS Drive Library	AH561A
HP StorageWorks MSL8096 2 LTO-3 Ultrium 960 4GB FC Library	AH218A
HP StorageWorks MSL8096 2 LTO-3 Ultrium 960 Drive Library	AH219A

HP StorageWorks MSL6000 Tape Library

LTO-4 Ultrium 1840 technology

HP StorageWorks MSL6030 1 LTO-4 Ultrium 1840 SCSI Drive Library	AJ029A
HP StorageWorks MSL6030 1 LTO-4 Ultrium 1840 4GB FC Library	AJ030A
HP StorageWorks MSL6060 2 LTO-4 Ultrium 1840 SCSI Drive Library	AJ031A
HP StorageWorks MSL6060 2 LTO-4 Ultrium 1840 4GB FC Library	AJ032A

LTO-3 Ultrium 960 technology

HP StorageWorks MSL6030 1 Ultrium 960 Dr LVDS Library	AD606B
HP StorageWorks MSL6030 1 Ultrium 960 Dr FC Library	AD608B
HP StorageWorks MSL6030 2 Ultrium 960 Dr LVDS Library	AD607B
HP StorageWorks MSL6030 2 Ultrium 960 Dr FC Library	AD609B

NOTE: Please reference the MSL2024, MSL4048, MSL8096 and MSL6000 Tape Library QuickSpecs at: <http://www.hp.com/go/automation> for additional information needed to create a complete solution; reference current compatibility information at: <http://www.hp.com/go/ebs>.

Options

Cluster Options	ProLiant Cluster Starter Kit	364023-B22
	NOTE: For additional information regarding the ProLiant Cluster Starter Kit please see the following QuickSpecs at: http://h18000.www1.hp.com/products/quickspecs/11935_div/11935_div.html (Worldwide)	
	HP Serviceguard for Linux ProLiant Cluster, A.11.18 (2 license version - Red Hat EL 4&5, SUSE SLES10)	305199-B27
	HP Serviceguard for Linux, A.11.18 (single license version - Red Hat EL 4&5, SUSE SLES10)	307754-B27
	HP Serviceguard for Linux and Red Hat Global File System – 1 year subscription	T2798AA#001
	HP Serviceguard for Linux and Red Hat Global File System – 3 years subscription	T2798AA#003
	NOTE: For additional information regarding HP Serviceguard for Linux, please see the following QuickSpecs at: http://h18000.www1.hp.com/products/quickspecs/11518_div/11518_div.html (Worldwide)	

StorageWorks Options	NOTE: The following is a list of all Fibre Channel Host Bus Adapters for Windows and Linux. For detailed compatibility information please see: http://h18006.www1.hp.com/storage/saninfrastructure/hba.html	
	HP StorageWorks FC2142SR 4Gb PCI-e HBA	A8002A
	HP StorageWorks FC2242SR Dual Channel 4 Gb PCI-e HBA	A8003A
	HP StorageWorks FC1142SR 4Gb PCI-e HBA	AE311A
	HP StorageWorks FC1242SR Dual Channel 4 Gb PCI-e HBA	AE312A
	HP StorageWorks FC2143 4Gb PCI-X 2.0 -to-Fibre Channel HBA	AD167A
	HP StorageWorks FC2243 Dual Channel 4Gb PCI-X 2.0 HBA	AD168A
	HP StorageWorks FC1143 4Gb PCI-X 2.0 HBA	AB429A
	HP StorageWorks FC1243 Dual Channel 4Gb PCI-X 2.0 HBA	AE369A
	HP StorageWorks 81Q PCI-e FC HBA	AK344A

HP StorageWorks Modular Smart Array 20	HP StorageWorks Modular Smart Array 20	335921-B21
	NOTE: Rack-mountable 12 (SATA) drive enclosure with U320 Host connectivity, redundant power supplies.	
	NOTE: The Modular Smart Array Enclosure 20 Family supports the SATA 1.5Gb/s 3.5" Hot Plug Hard Drives.	
	NOTE: Please see the Modular Smart Array 20 QuickSpecs for additional information including configuration steps and additional options needed for a complete solution at: http://h18000.www1.hp.com/products/quickspecs/11942_div/11942_div.html (Worldwide)	

Options

HP StorageWorks Modular Smart Array 30	HP StorageWorks Modular Smart Array 30 SB	302969-B21
	NOTE: Rack-mountable 14 drive enclosure with single bus, redundant power supplies	
HP StorageWorks Modular Smart Array 50	HP StorageWorks Modular Smart Array 30 DB	302970-B21
	NOTE: Rack-mountable 14 drive enclosure with dual bus, redundant power supplies	
	NOTE: Please see the Modular Smart Array 30 QuickSpecs for additional information including configuration steps and additional options needed for a complete solution at: http://h18000.www1.hp.com/products/quickspecs/11738_div/11738_div.html (Worldwide)	
HP StorageWorks Modular Smart Array 500	HP StorageWorks Modular Smart Array 50 Enclosure	364430-B21
	NOTE: Please see the Modular Smart Array 50 QuickSpecs for additional information including configuration steps and additional options needed for a complete solution at: http://h18000.www1.hp.com/products/quickspecs/12245_div/12245_div.html (Worldwide)	
HP StorageWorks Modular Smart Array 500	HP StorageWorks Modular Smart Array 500 Generation 2	335880-B21
	NOTE: Please see the Modular Smart Array 500 Generation 2 QuickSpecs for additional information including configuration steps and additional options needed for a complete solution at: http://h18000.www1.hp.com/products/quickspecs/11956_div/11956_div.html (Worldwide)	
HP StorageWorks Modular Smart Array 1000	HP StorageWorks Modular Smart Array 1000	201723-B22
	NOTE: Please see the Modular Smart Array 1000 QuickSpecs for additional options and configuration information at: http://hp.com/go/msa1000	
HP StorageWorks Modular Smart Array 1500 cs	Modular Smart Array 1500 Controller Shelf	AA986A
	NOTE: Please see the StorageWorks Modular SAN Array 1500 cs QuickSpecs for additional options and configuration information at: http://www.hp.com/go/MSA1500cs	
Uninterruptible Power Systems – Rack	HP, R1.5kVA UPS, 1U, NA	AF419A
	HP, R1.5kVA UPS, 1U, INTL	AF418A
	HP, R1.5kVA UPS, 1U, JPN/TW	AF421A
	HP R3000 VA UPS, 2U, DTC, INTL	AF414A
	HP R3000 VA UPS, 2U, L5-30, NA	AF422A
	HP R3000 VA UPS, 2U, L6-20, NA	AF423A
	HP R3000 VA UPS, 2U, L6-20, JPN	AF424A
	HP R3000 VA UPS, 2U, L5-30, JPN	AF425A
	HP R5500 VA UPS, INTL	AF416A
	HP R5500 VA UPS, NA/JPN	AF426A

Options

HP Monitored Power Distribution Unit (PDU)	HP Monitored Power Distribution Unit: Full Rack Version	
	HP 17.3 kVA S2324 Monitored PDU – dual input, 3U, 24A (NA/JPN)	AF503A
	HP 8.3 kVA S1324 Monitored PDU – single input, 3U, 24A (NA/JPN)	AF504A
	HP 16.6 kVA S2140 Monitored PDU – dual input, 1U, 40A (NA/JPN)	AF505A
	HP 8.6 S1140 Monitored PDU – single input, 1U, 40A (NA/JPN)	AF506A
	HP 22.1 kVA S2316 Monitored PDU – dual input, 3U, 16A (INTL)	AF507A
	HP 11 kVA S1316 Monitored PDU – single input, 3U, 16A (INTL)	AF508A
	HP 14.7 kVA S2132 Monitored PDU – dual input, 1U, 32A (INTL)	AF509A
	HP 7.3kVA S1132 Monitored PDU – single input, 1U, 32A (INTL)	AF510A
	HP Monitored Power Distribution Unit: Half Rack Version	
	HP 17.3 kVA S348 Monitored PDU- single input, 3Ø, 48A (NA/JPN)	AF916A
	HP 22 kVA S332 Monitored PDU – single input, 3-phase, 32A (INTL)	AF917A
	HP 4.9kVA S124 Monitored PDU – single input, 1U, 24A (NA/JPN)	AF914A
	HP 7.3kVA S132 Monitored PDU – single input, 1U, 32A (INTL)	AF915A

Modular Power Distribution Units 1U/0U (Up to 32 outlets) NOTE: 1U/0U mounting brackets shipped with the unit (optimized for 10000 and 9000 series racks).	HP Modular Power Distribution Units (mPDU), Low Volt Model, 24A (100-127 VAC) (NA, Japan)	252663-D71
	NOTE: This mPDU (252663-D71) may also be used to connect the low volt model of the UPS R3000 XR.	
	HP Modular Power Distribution Units (mPDU), High Volt Model, 24A (200-240 VAC) (NA, Japan)	252663-D72
	HP Modular Power Distribution Units (mPDU), High Volt Model, 32A (200-240 VAC) (Int'l)	252663-B31
	HP Modular Power Distribution Units (mPDU), High Volt Model, 40A (200-240 VAC) (WW)	252663-B21
	NOTE: This mPDU (252663-B21), 40A model has a hardwired input.	
	HP Modular Power Distribution Units (mPDU), High Volt Model, 16A (200-240 VAC) (WW)	252663-B24
NOTE: This PDU has a detachable input power cord and allows for adaptability to country specific power requirements. This model may also be used with the high volt UPS R3000 XR. For North America, need to order cable PN 340653-001.		
NOTE: Please see the following Modular Power Distribution Unit (Zero-U/1U Modular PDUs) QuickSpecs for additional options including shorter jumper cables and country specific power cords: http://h18000.www1.hp.com/products/quickspecs/11041_div/11041_div.html (Worldwide)		

USB Options	HP USB 2-Button Optical Scroll Mouse (Carbonite/Silver)	DC172B
	HP USB 04 Standard Keyboard	DT528A#xxx
	USB 2.0 4-port HUB	DG954A
	HP 1GB USB 2.0 Floppy Drive Key	442085-B21
	HP 256MB USB 2.0 Floppy Drive Key	442084-B21

Options

HP Rack 5000 Series (Graphite Metallic)	HP 5642 Rack-Unassembled NOTE: Please see the HP Rack 5642 QuickSpecs for additional part numbers and Technical Specifications such as height, width, depth, weight, and color: http://h18000.www1.hp.com/products/quickspecs/12074_div/12074_div.html (Worldwide) NOTE: For additional information regarding Rack Cabinets, please see the following URL: http://www.hp.com/go/rackandpower .	358254-B21
<hr/>		
HP Rack 10000 G2 Series (Carbon/Graphite Metallic)	10642 G2 (42U) Rack Cabinet – Pallet 10642 G2 (42U) Rack Cabinet – Shock Pallet 10642 G2 (42U) Rack Cabinet – Crated 10642 G2 (42U) Rack Cabinet, with Extension – Shock Pallet 10636 G2 (36U) Rack Cabinet – Pallet 10636 G2 (36U) Rack Cabinet – Shock Pallet 10636 G2 (36U) Rack Cabinet – Crated 10636 G2 (36U) Rack Cabinet, with Extension – Shock Pallet 10622 G2 (22U) Rack Cabinet - Pallet 10622 G2 (22U) Rack Cabinet - Shock Pallet 10842 G2 (42U) 800mm Wide Rack Cabinet - Pallet 10842 G2 (42U) 800mm Wide Rack Cabinet - Shock Pallet 10647 G2 (47U) Rack Cabinet - Pallet NOTE: It is mandatory to use a shock pallet when shipping racks with equipment installed. NOTE: Please see the Rack 10000 G2 QuickSpecs for Technical Specifications such as height, width, depth, weight, and color: http://h18000.www1.hp.com/products/quickspecs/12402_div/12402_div.html (Worldwide) NOTE: For additional information regarding Rack Cabinets, please see the following URL: http://www.hp.com/go/rackandpower .	AF001A AF002A AF003A AF004A AF011A AF012A AF013A AF014A AF021A AF022A AF041A AF042A AF031A
<hr/>		
HP Rack 10000 Series (Graphite Metallic)	HP Rack S10614 (14U) Rack Cabinet – Shock Pallet NOTE: xxxxx-B22 (shock pallet) used to ship racks with equipment installed (by custom systems, VARs and Channels). NOTE: Please see the Rack 10000 QuickSpecs for Technical Specifications such as height, width, depth, weight, and color: http://h18000.www1.hp.com/products/quickspecs/10995_div/10995_div.html (Worldwide) NOTE: NOTE: For additional information regarding Rack Cabinets, please see the following URL: http://www.hp.com/go/rackandpower .	292302-B22
<hr/>		
Keyboards and Monitors	TFT7210R Rack Mounted 17" Monitor TFT7600 Rackmount Keyboard Monitor US TFT7600 Rackmount Keyboard Monitor UK	348373-B21 AG052A AG053A

Options

TFT7600 Rackmount Keyboard Monitor GR	AG054A
TFT7600 Rackmount Keyboard Monitor FR	AG055A
TFT7600 Rackmount Keyboard Monitor IT	AG056A
TFT7600 Rackmount Keyboard Monitor SP	AG057A
TFT7600 Rackmount Keyboard Monitor DEN	AG058A
TFT7600 Rackmount Keyboard Monitor NOR	AG059A
TFT7600 Rackmount Keyboard Monitor SE/FI	AG060A
TFT7600 Rackmount Keyboard Monitor SWI	AG061A
TFT7600 Rackmount Keyboard Monitor PORT	AG062A
TFT7600 Rackmount Keyboard Monitor BEL	AG063A
TFT7600 Rackmount Keyboard Monitor JPN2	AG064A
TFT7600 Rackmount Keyboard Monitor RUS	AG065A
TFT7600 Rackmount Keyboard Monitor INTL	AG066A
1U Rackmount Keyboard with USB, US	AG072A
1U Rackmount Keyboard with USB, UK	AG073A
1U Rackmount Keyboard with USB, GR	AG074A
1U Rackmount Keyboard with USB, FR	AG075A
1U Rackmount Keyboard with USB, ITL	AG076A
1U Rackmount Keyboard with USB, SP	AG077A
1U Rackmount Keyboard with USB, DEN	AG078A
1U Rackmount Keyboard with USB, NOR	AG079A
1U Rackmount Keyboard with USB, SE/FI	AG080A
1U Rackmount Keyboard with USB, SWI	AG081A
1U Rackmount Keyboard with USB, PORT	AG082A
1U Rackmount Keyboard with USB, BEL	AG083A
1U Rackmount Keyboard with USB, JPN2	AG084A
1U Rackmount Keyboard with USB, RUS	AG085A
1U Rackmount Keyboard with USB, INTL	AG086A

NOTE: For additional information regarding Rack Options, please see the following URL: <http://www.hp.com/go/rackandpower>.

HP KVM Switch Options	2x1x16 IP Console Switch with Virtual Media	AF601A
	4x1x16 IP Console Switch with Virtual Media	AF602A
	2x16 Server Console Switch with Virtual Media	AF600A
	PS/2 Virtual Media Interface Adapter, 1 pack	AF604A
	NOTE: Requires PS/2 and one USB port on server.	
	Server Console Switch (KVM), 0 x 1 x 8 port	336044-B21
	Server Console Switch (KVM), 0 x 2 x 16 port	336045-B21
	PS/2 Interface Adapter, 1 pack	262588-B21
	PS/2 Interface Adapter, 8 pack	262587-B21
	USB Interface Adapter, 1 pack	336047-B21
	Serial Interface adapter – 1 Pack with power supply	373035-B21

Options

NOTE: Cat5e cables are required to connect Interface Adapters to Console Switches. Cat5e cables can be found at the following URL: <http://www.hp.com/go/kvm>.

HP 1x4 Server Switch	AF611A
PS2 Server Console Cable, 6 ft, 2 pack	AF612A
USB Server Console Cable, 6 ft, 2 pack	AF613A

NOTE: For additional information regarding KVM switches, Serial Console servers, rack mount monitors, keyboards and all related options please see the following URL: <http://www.hp.com/go/kvm>.

HP Serial Console Server Options	HP 16 Port Serial Console Server (worldwide)	AF101A
	HP 48 Port Serial Console Server (worldwide)	AF102A
	Serial Adapter, RJ45-DB9 DCE Female, 1 Pack	AF103A
	Serial Adapter, RJ45-DB9 DCE Female, 8 Pack	AF110A

NOTE: Cat5e cables are required to connect Serial Adapters to Serial Console Servers. Additional Serial Adapters and Cat5e cables can be found at the following URL: <http://www.hp.com/go/kvm>.

NOTE: For additional information regarding KVM switches, Serial Console servers, rack mount monitors, keyboards and all related options please see the following URL: <http://www.hp.com/go/kvm>.

Service and Support Offerings (HP Care Pack Services)	Hardware Services On-site Service	
	4-Hour On-site Service, 5-Day x 13-Hour Coverage, 3 Years, Electronic	U4607E
	4-Hour On-site Service, 7-Day x 24-Hour Coverage, 3 Years, Electronic	U4608E
	Hardware Services 6-Hour Call to Repair On-site Service	
	6-Hour Call to Repair, On-site Service, 7-Day x 24-Hour Coverage, 3 Years, Electronic	U4609E
	Installation & Start-up Services	
	Hardware Installation, Electronic	U4617E
	Installation & Start-Up of a ProLiant server and Microsoft or Linux O/S per the Customer Description and/or Data Sheet. To be delivered on a scheduled basis 8am-5pm, M-F, excl. HP holidays, Electronic	U4618E
	Support Plus	
	Onsite HW support, 8am-9pm, M-F, 4hr response and Microsoft O/S SW Tech support offsite, onsite at HP's discretion, 8am-9pm, M-F 2hr response time excl. HP holidays, Electronic	U4619E
	Support Plus 24	
	Onsite HW support 24x7, 4hr response and Microsoft O/S SW Tech support offsite, onsite at HP's discretion, 24x7 2hr response time incl. HP holidays, Electronic	U4620E
	Onsite HW support 24x7, 4hr response and SuSE Linux SW Tech support offsite, onsite at HP's discretion, 24x7 2hr response time incl. HP holidays, Electronic	U6316E
	Onsite HW support 24x7, 4hr response and Red Hat AS Linux SW Tech support offsite, onsite at HP's discretion, 24x7 2hr response time incl. HP holidays, Electronic	U9239E
NOTE: For more information, customer/resellers can contact: http://www.hp.com/services/carepack .		

Memory

NOTE: Memory configurations listed do not apply to "Factory Integrated Models."

HP ProLiant DL585 G2 2P Models

Standard Memory

4 GB PC2-5300 Double Data Rate 2 (DDR2) SDRAM (Registered SDRAM) memory running at 667 MHz or
2 GB PC2-5300 Double Data Rate 2 (DDR2) SDRAM (Registered SDRAM) memory running at 667 MHz with Advanced ECC

At least one pair of DIMMs must be installed in slots 1A and 2A to operate the server. Observe the following DIMM installation guidelines to add additional memory to the server:

- DIMMs must be installed in pairs.
- DIMM installed on the same memory bank must have the same part number.
- DIMMs installed in different banks can be of different sizes.
- DIMMs must be installed in decreasing capacity with the largest DIMMs installed in the banks furthest away from each processor.
- DIMM banks are active only when the corresponding processor socket is populated.

NOTE: If all four banks on a memory node are populated, the maximum memory clock speed will be 533 MHz. If two or fewer banks on a memory node are populated, the maximum memory clock speed will be 667 MHz.

The following memory options are available from HP:

1 GB PC2-5300 DDR2 (2 x 512 MB) Kit, single rank	408850-B21
2 GB PC2-5300 DDR2 (2 x 1 GB) Kit, single rank	408851-B21
4 GB PC2-5300 DDR2 (2 x 2 GB) Kit, dual rank	408853-B21
8 GB REG PC2-5300 (2 x 4 GB) Kit, dual rank	408854-B21

Standard Memory Configuration (2.0GHz, 2.2GHz and 2.4GHz models)								
Total Memory = 2 GB								
	1 (Slot furthest from processor)	2	3	4	5	6	7	8 (Slot closest to processor)
Processor 1 Memory Bus	512 MB	512 MB	Empty	Empty	Empty	Empty	Empty	Empty
Processor 2 Memory Bus	512 MB	512 MB	Empty	Empty	Empty	Empty	Empty	Empty
Processor 3 Memory Bus	Empty	Empty	Empty	Empty	Empty	Empty	Empty	Empty
Processor 4 Memory Bus	Empty	Empty	Empty	Empty	Empty	Empty	Empty	Empty
Standard Memory Configuration (2.6GHz model)								
Total Memory = 4 GB								
	1 (Slot furthest from processor)	2	3	4	5	6	7	8 (Slot closest to processor)
Processor 1 Memory Bus	1 GB	1 GB	Empty	Empty	Empty	Empty	Empty	Empty
Processor 2 Memory Bus	1 GB	1 GB	Empty	Empty	Empty	Empty	Empty	Empty
Processor 3 Memory Bus	Empty	Empty	Empty	Empty	Empty	Empty	Empty	Empty
Processor 4 Memory Bus	Empty	Empty	Empty	Empty	Empty	Empty	Empty	Empty

Memory

Standard Memory Configuration (2.8GHz models)
Total Memory = 8 GB

	1 (Slot furthest from processor)	2	3	4	5	6	7	8 (Slot closest to processor)
Processor 1 Memory Bus	1 GB	1 GB	Empty	Empty	Empty	Empty	Empty	Empty
Processor 2 Memory Bus	1 GB	1 GB	Empty	Empty	Empty	Empty	Empty	Empty
Processor 3 Memory Bus	1 GB	1 GB	Empty	Empty	Empty	Empty	Empty	Empty
Processor 4 Memory Bus	1 GB	1 GB	Empty	Empty	Empty	Empty	Empty	Empty

Examples of other optional configurations include, but are not limited to:

Example #1: Optional Memory Configuration with DIMM mixing
Standard Memory plus Optional Memory and Processors
Total Memory = 34 GB

	1	2	3	4	5	6	7	8
Processor 1 Memory Bus	2 GB	2 GB	1 GB	1 GB	512 MB	512 MB	512 MB	512 MB
Processor 2 Memory Bus	2 GB	2 GB	1 GB	1 GB	512 MB	512 MB	512 MB	512 MB
Processor 3 Memory Bus	2 GB	2 GB	2 GB	2 GB	1 GB	1 GB	512 MB	512 MB
Processor 4 Memory Bus	1 GB	1 GB	1 GB	1 GB	1 GB	1 GB	512 MB	512 MB

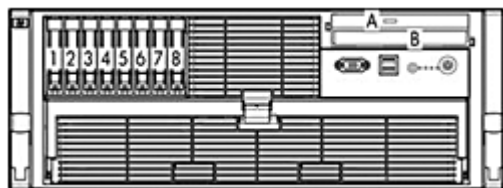
Example #2: Optional Memory Configuration with Partial Bus Population
Standard Memory plus Optional Memory and Processors
Total Memory = 8 GB

	1	2	3	4	5	6	7	8
Processor 1 Memory Bus	512 MB	512 MB	512 MB	512 MB	Empty	Empty	Empty	Empty
Processor 2 Memory Bus	512 MB	512 MB	512 MB	512 MB	Empty	Empty	Empty	Empty
Processor 3 Memory Bus	512 MB	512 MB	512 MB	512 MB	Empty	Empty	Empty	Empty
Processor 4 Memory Bus	512 MB	512 MB	512 MB	512 MB	Empty	Empty	Empty	Empty

Example #3: Maximum Memory Configuration
Maximum Memory (Standard replaced with Optional Memory)
Total Memory = 128 GB

	1	2	3	4	5	6	7	8
Processor 1 Memory Bus	4 GB	4 GB	4 GB	4 GB	4 GB	4 GB	4 GB	4 GB
Processor 2 Memory Bus	4 GB	4 GB	4 GB	4 GB	4 GB	4 GB	4 GB	4 GB
Processor 3 Memory Bus	4 GB	4 GB	4 GB	4 GB	4 GB	4 GB	4 GB	4 GB
Processor 4 Memory Bus	4 GB	4 GB	4 GB	4 GB	4 GB	4 GB	4 GB	4 GB

Storage



- A Ejectable: Slimline Diskette or Optical Drive (Optional)
- B Ejectable: Slimline Optical Drive (DVD/CD-RW Standard)
- 1-8 SFF SAS Internal Drive cage

Drive Support

	Quantity Supported	Position Supported	Controller
Ejectable Slimline Drives			
1.44-MB slimline Diskette Drive	Up to 1	A or B Based on Boot Device Selector Switch	Integrated
IDE slimline CD-ROM Drive	Up to 2	A or B	Integrated IDE
IDE Slimline DVD-ROM Drive (8X/24X)	Up to 2	A or B	Integrated IDE
IDE Slimline CD-RW/DVD-ROM Combo Drive	Up to 2	A or B	Integrated IDE
IDE DVD±R/RW 8X Drive	Up to 2	A or B	Integrated IDE

Hard Drives

SATA – Hot Plug Drives

	Quantity Supported	Position Supported	Controller
120GB 1.5G SATA 5.4K 60GB 1.5G SATA 5.4K	Up to 8	1-8	HP Smart Array E500/256MB Controller HP Smart Array P400/256MB Controller HP Smart Array P400/512MB BBWC Controller HP Smart Array P600/256 BBWC Controller HP Smart Array P800/512 BBWC Controller

Storage

SFF SAS – Hot Plug Drives

	Quantity Supported	Position Supported	Controller
146GB 3G SAS 10K SP	Up to 8	1-8	HP Smart Array E500/256MB Controller
72GB 3G SAS 10K SP			HP Smart Array P400/256MB Controller
72GB 3G SAS 15K SP			HP Smart Array P400/512MB BBWC Controller
36GB 3G SAS 15K SP			HP Smart Array P600/256 BBWC Controller HP Smart Array P800/512 BBWC Controller

External Storage

	Quantity Supported	Position Supported	Host Controller or Adapter
Modular Smart Array 20 Family	1 per SCSI VHDCL connector	External	Smart Array 6402/128 Controller Smart Array 6404/256 Controller
Modular Smart Array 30 Family	Up to 13	External	Smart Array 6402/128 Controller Smart Array 6404/256 Controller Smart Array 642 Controller
Modular Smart Array 50 Enclosure	2 per connector (supports 1+1 cascading)	External	HP Smart Array P600/256 BBWC Controller
Modular Smart Array 1000	Please see the Modular Smart Array 1000 QuickSpecs to determine configuration requirements	External	Please see the Modular Smart Array 1000 QuickSpecs for the latest list of supported HBAs: http://www.hp.com/go/MSA1000
Modular Smart Array 1500 cs	Please see the Modular Smart Array 1500 cs QuickSpecs to determine configuration requirements	External	Please see the Modular Smart Array 1000 QuickSpecs for the latest list of supported HBAs: http://www.hp.com/go/MSA1500cs

Maximum Storage Capacity – (External Enclosure Attached)

Internal	1.168TB (8 x 146 GB SFF SAS Drives)
External	5.840TB (2 MSA50 Enclosures 20 drives per enclosure x 146 GB SFF SAS Drives)
Total	7.008TB

Tape Drives, Tape Autoloaders, and Tape Libraries

NOTE: For an up-to-date listing of the latest O/S Support details for each of the Tape Drives listed below, please see the following: <http://h18000.www1.hp.com/products/quickspecs/division/10233.html> (Worldwide)

NOTE: For an up-to-date listing of the latest O/S Support details for each of the Tape Autoloaders and Tape Libraries listed below, please see the following:

Storage

<http://h18000.www1.hp.com/products/quickspecs/division/10809.html> (Worldwide)

NOTE: For complete listing of tape drive offerings see:

<http://www.hp.com/products1/storage/compatibility/tapebackup/ISS/index.html>

NOTE: SAS Tape Drives: Connecting hard drive cage and SAS tape to the same SAS Controller using split cable (supplied with tape drive) deactivates 1 of the hard drive bays. Actual hard drive bay deactivated depends on where split cable plugs into SAS drive connector. Example: 3x SAS cable connector plugged into SAS drive connector (5-8) on the back of the hard drive cage would mean drive bay 8 is deactivated.

	Position Supported	Controller	Controller Part Number
HP StorageWorks SCSI Tape Drives, External LTO-1 Ultrium 232 LTO-2 Ultrium 448 LTO-2 Ultrium 460 LTO-3 Ultrium 960 LTO-3 Ultrium 920 LTO-4 Ultrium 1840 DAT 40 DAT 72 DAT 160 DLT VS160 SDLT 600 1U Rack-Mount Kit 3U Rack-Mount Kit	External	HP SC11Xe Host Bus Adapter	412911-B21
HP StorageWorks USB Tape Drives, External DAT 40 USB DAT 72 USB DAT 160 USB 1U Rack-Mount Kit	External	USB 2.0 Port	N/A
HP StorageWorks SAS Tape Drives, External DAT 160 SAS LTO-2 Ultrium 448 SAS LTO-3 Ultrium 920 SAS LTO-4 Ultrium 1840 SAS 1U Rack-Mount Kit 3U Rack-Mount Kit	External	HP SC44Ge Host Bus Adapter NOTE: Recommended. HP Smart Array E500 Controller NOTE: The following SAS Smart Array controllers require ROM Flash version 2.04 or higher for SAS tape support: HP Smart Array P400/256MB Controller HP Smart Array P400/512MB Controller NOTE: Please visit: http://www.hp.com/go/connect for details about minimum SAS controller firmware version and SAS cabling requirements.	416096-B21 435129-B21 405132-B21 411064-B21
HP StorageWorks SCSI Tape Automation, External DAT 72x10 Autoloader 1/8	External	HP SC11Xe Host Bus Adapter	412911-B21

Storage

G2 Autoloader

MSL2024

MSL4048

MSL8096

MSL6000

HP U320e SCSI Host Bus Adapter

NOTE: Only valid for MSL tape libraries.

AH627A

**HP StorageWorks SAS
Tape Automation, External**

1/8 G2 Autoloader

MSL2024

MSL4048

MSL8096

External

HP SC44Ge Host Bus Adapter

NOTE: Please visit <http://www.hp.com/go/connect> for details about minimum SAS controller firmware version and SAS cabling requirements.

416096-B21

**HP StorageWorks Fibre
Tape Automation, External**

MSL2024

MSL4048

MSL8096

MSL6000

External

Please consult the EBS connectivity matrix at <http://www.hp.com/go/ebs> for detailed connectivity information.

N/A

**HP StorageWorks D2D
Backup Systems**

D2D110

D2D120

D2D130

External

Embedded Network Controller

N/A

Power Specifications

Part number	348114-001
Operational Input Voltage Range (Vrms)	90 to 264
Frequency Range (Nominal) (Hz)	47 to 63 (50/60)

Nominal Input Voltage (Vrms)	100	115	208	220	230	240
Max Rated Output Wattage Rating	910	910	1300	1300	1300	1300
Nominal Input Current (A rms)	11.9	10.2	7.7	7.3	6.9	6.6
Max Rated Input Wattage Rating (Watts)	1163	1148	1566	1566	1548	1548
Max. Rated VA (Volt-Amp)	1186	1172	1598	1598	1579	1579
Efficiency (%)	80	81	83	83	84	84
Power Factor	0.98		0.98			
Leakage Current (mA)	0.43	0.50	0.90	0.96	1.00	1.04
Max. Inrush Current (A peak)	100	100	100	100	100	100
Max. Inrush Current duration (mS)	10					

***NOTE:** – To review typical system power ratings use the Active Answers Power Calculator which is available via the online tool located at url: <http://h30099.www3.hp.com/configurator/powercalcs.asp>

To drill down to calculators:

- Click on: "ProLiant Servers"
- Click on the Server of interest. Example: DL585 G2
- Click on: "Power Calculator" link. (You may need to scroll down to see it)
- There are certain Dual-core, lowline, max configurations that are not supported. All highline configurations are supported. Consult the Power Calculator to determine if your lowline configuration is supported.

Standard Rack Model Power Cords / Jumper Cords	Description
Asia Pacific	IEC320-C14 to IEC320-C19 Jumper Cord
Europe	IEC320-C14 to IEC320-C19 Jumper Cord
Japan	JIS C8303 to IEC320-C19 IEC320-C14 to IEC320-C19 Jumper Cord
PRC	IEC320-C14 to IEC320-C19 Jumper Cord
USA	IEC320-C14 to IEC320-C19 Jumper Cord

Power Specifications

Optional Country Power Cords and Jumper Cords	Description	Option Kit Part Number
Australia/New Zealand	AS/NZS 3112 to IEC320-C19	305340-011
Denmark/Switzerland	IEC320-C19, Industrial	305340-081
Europe	CEE 7 to IEC320-C19	305340-021
Italy	IEC320-C19, Italy	305340-061
South Africa/India	IEC320-C19, SA	305340-AR1
UK	BS1363 to IEC320-C19	305340-031
US	Nema 5-15P to IEC320-C19	235603-001
US	Nema 6-20P to IEC320-C19	235604-001
US	Nema L6-20P to IEC320-C19, 20A, 250V, US	340653-001
WW	IEC320-C19 to IEC320-C14 Jumper (10A, IEC, 6 ft/2.0m)	313227-B21
WW	IEC320-C19 to IEC320-C14 Jumper (10A, IEC, 8 ft/2.5m)	291034-B21
WW	IEC320-C19 to IEC320-C14 Jumper (10A, IEC, 10 ft/3.0m)	310927-B21
WW	IEC320-C19 to IEC320-C14 Jumper (10A, IEC, 12ft/3.7m)	313228-B21
WW	IEC320-C19 to IEC320-C20 Jumper (16A, IEC, 8ft/2.5m)	295633-B22

Technical Specifications

System Unit	Dimensions (H x W x D) (with bezel)	6.94 x 19 x 26.5 in (17.6 x 48.3 x 67.3 cm)	
	Weight (approximate)	Maximum	95 lb (43 kg)
		(all hard drives, power supplies, and processors installed)	
	Input Requirements (per power supply)	Minimum	79 lb (36 kg)
		(one hard drive, power supply, and processor installed)	
		Rated Line Voltage	90 - 132 VAC, 180 - 264 VAC
		Rated Input Current	12 A (at 100 VAC), 8 A (at 200 VAC)
	BTU Rating	Rated Input Frequency	47 to 63 Hz
		Rated Input Power	1161 W (at 100 VAC), 1598 W (at 200 VAC)
	Power Specifications	Maximum	3985 BTU/hr (at 100 VAC), 5457 BTU/hr (at 200 VAC)
	<p>To review typical system power ratings use the Power Calculator which is available via the online tool located at URL: http://h30099.www3.hp.com/configurator/calc/Power%20Calculator%20Catalog.xls</p> <ul style="list-style-type: none"> ● Click on the system of interest. Example: DL585 G2 ● Follow the instructions of the next screens 		
Power Supply Output (per power supply)	Rated Steady-State Power	910 W (at 100 VAC), 1300 W (at 200 VAC)	
	Maximum Peak Power	960 W (at 100 VAC), 1420 W (at 200 VAC)	
System Inlet Temperature	Operating	<p>10° to 35°C (50° to 95°F) at sea level with an altitude derating of 1.0°C per every 305 m (1.8°F per every 1000 ft) above sea level to a maximum of 3050 m (10,000 ft), no direct sustained sunlight. Maximum rate of change is 10°C/hr (18°F/hr). The upper limit may be limited by the type and number of options installed.</p> <p>System performance may be reduced if operating with a fan fault or above 30°C (86°F).</p>	
	Non-operating	-30° to 60°C (-22° to 140°F). Maximum rate of change is 20°C/hr (36°F/hr).	
Relative Humidity (non-condensing)	Operating	<p>10 to 90% relative humidity (Rh), 28°C (82.4°F) maximum wet bulb temperature, non-condensing.</p>	
	Non-operating	<p>5 to 95% relative humidity (Rh), 38.7°C (101.7°F) maximum wet bulb temperature, non-condensing.</p>	

Technical Specifications

Altitude	Operating	3050 m (10,000 ft). This value may be limited by the type and number of options installed. Maximum allowable altitude change rate is 457 m/min (1500 ft/min).
	Non-operating	9144 m (30,000 ft). Maximum allowable altitude change rate is 457 m/min (1500 ft/min).
Acoustic Noise	Listed are the declared A-Weighted sound power levels (LWAd) and declared average bystander position A-Weighted sound pressure levels (LpAm) when the product is operating in a 23°C ambient environment. Noise emissions were measured in accordance with ISO 7779 (ECMA 74) and declared in accordance with ISO 9296 (ECMA 109).	
	Idle	
	L WAd	7.7 B
	L pAm	58 dBA
	Operating	
L WAd	7.7 B	
L pAm	58 dBA	

24X Max (or higher) IDE CD-ROM Drive Slim Line	Disk	Applicable Disk	CD-DA, CD-ROM (Mode 1 and 2) CD-XA, CD-I (Mode 2, Form 1 and 2) Photo CD (Single and Multi-session) Mixed Mode (Audio and Data combined)
		Capacity	540 MB (Mode 1, 12 cm) 650 MB (Mode 2, 12 cm)
		Diameter	4.7 x 3.15 in (12 x 8 cm)
		Rotational Speed	4200 rpm maximum
		Center Hole	0.6 in/15 mm diameter
		Thickness	1.2 mm
		Track Pitch	1.6 μ m
	Block Size	Mode 1	2,048
		Mode 2	2,340, 2,336, 1,024 bytes
		CD-DA	2,352 bytes
		CD-XA	2,328 bytes
	Interface	IDE (ATAPI)	
	Access Times (typical)	Random	100 ms
		Full-Stroke	2000 ms
	Audio Output Level	Line-Out	0.7 Vrms at 47 kOhms
Headphone		0.6 Vrms at 32 kOhms (maximum volume)	
Data Transfer Rate	Sustained	150 KB/s (sustained 1X)	
	Burst	2100 to 3600 KB/s	
Cache Buffer	128 KB		
Start-up Time (typical)	< 7seconds		

Technical Specifications

Stop Time	< 4seconds	
Laser Parameters	Type	Semiconductor Laser GaAlAs
	Wave Length	780 ± 25 nm
	Divergence Angle	53.5° ± 1.5°
	Output Power	0.14 mW
Operating Conditions	Temperature	41° to 113° F (5° to 45° C)
	Humidity	10% to 80%
Dimensions	(HxWxD, maximum)	1.69 x 5.75 x 8.19 in (4.29 x 15 x 20.8 cm)
	Weight	2.66 lb (1.2 kg)

Slimline CD-RW/DVD-ROM 24X Combo Drive

Shipping Dimensions	13.88 x 11.38 x 9.25 in (35.26 x 28.91 x 23.50 cm)					
Shipping Weight	5 lb (2.27 kg)					
Disk	Applicable Disk	DVD-ROM				
		DVD-R (Read Only)				
		2.6 GB/side DVD-RAM (Read Only)				
		5.2 GB/side DVD-RAM (Read Only)				
		CD-ROM Mode-1 data disc				
		CD-ROM Mode-2 data disc				
		CD Audio disc				
		CD-Extra				
		CD-RW				
		CD-R				
		CD Text				
		PhotoCD				
		CD-I (mode 2)				
		CD-I Ready				
Capacity	DVD-ROM	DVD-SL	4.7 GB/side			
		DVD-DL	8.5 GB/side			
		Double Sided	9.40 GB/side			
		DVD-R	3.95 GB/side			
		DVD-RAM	2.6 GB/side and 5.2 GB/			
		CD-ROM	Mode-1	650 MB (550 MB)		
			Mode-2	742 MB (640 MB)		
		Block Size	DVD	2,048 bytes		
				CD	2,352 (Mode-0)	
					2352, 2340, 2336, 2048 bytes (Mode-1)	

Technical Specifications

			2352, 2340, 2336, 2048 bytes (Mode-2)
	Diameter	120 mm, 80 mm (with adapter at vertical mounting mode)	
Loading Mechanism	Tray type		
Interface	EIDE (ATAPI)		
Access Times (typical)	Random	DVD-ROM < 120 ms, CD-ROM < 110 ms	
	Full-Stroke	DVD-ROM < 240 ms, CD-ROM < 160 ms	
Audio Output Level (typical)	Line-out	CD 0.7 Vrms at 47 Kohms Load	
Data Transfer Rate (sustained)	DVD-ROM	Single Layer	10.8 MB/sec. Max.
	DVD-RAM	2.77 MB/sec. Max	
	CD-ROM	7.2 MB/sec. Max.	
Cache Buffer	2 MB		
Spin-up Time (typical)	less than 10 seconds		
MTBF	120,000 Power On Hours (POH)		
Ambient Temperature	Operating	-22° to 140° F (-30° to 60° C)	
Relative Humidity	Operating	10% to 80%	
	Storage/Transportation	5% to 95%	
Dimensions	(HxWxD, maximum)	0.5 x 5.04 x 5.1 in (12.7 x 128 x 129.4 mm)	
Option Kit Contents	DVD-ROM drive with installation guide, warranty card, registration card		

Integrated Lights-Out 2 Standard (integrated on system board)

Architecture	32-bit PCI-based health and remote management ASIC (Application Specific Integrated Circuit)		
Processor	32-bit RISC processor core running at 66 MHz		
Upgradeability	Option firmware upgradeable via flash ROM		
Video Support	Utilizes the host server's embedded video chip. Supports VGA/SVGA, 640 x 480 (256 to 16.7M colors), 800 x 600 (256 to 16.7M colors), 1024 x 768 (256 to 65K colors), 1280 x 1024 (256 colors)		
Interfaces	One Ethernet network connection (10/100 Mb/s)		
Memory	2-MB Flash ROM 8-MB SDRAM		
Operating System Support	Windows 2000 Server Windows 2000 Advanced Server Red Hat 7.x SuSE 7.0		
Client Browser Support	Microsoft Internet Explorer 5.5 or later.		
iLO 2 Standard Features	Virtual Text Remote Console Virtual KVM Virtual Power Button Control Virtual UID Control		

Technical Specifications

	Power Regulator Control
	Dedicated LAN Connectivity
	Secure access using web browser
	Secure access using Secure Shell (SSH) client
	Serial connectivity
	Automatic IP Configuration via DHCP/DNS/WINS
	Industry Standard 128-bit Secure Sockets Layer (SSL) Security
	IML and iLO2 Event Logging
	Support for up to 12 user accounts with customizable access privileges
iLO Advanced Features (optional)	Virtual Graphical Remote Console
	Virtual Floppy/USB Key drive
	Virtual CD-ROM drive
	Directory Services Integration
	Processor States Reporting
	Terminal Services Integration

Smart Array P400 Controller	Disk Drive and Enclosure Interface	3G SAS (Serial Attached SCSI) 1.5G SATA (Serial Advanced Technology Attachment)
	SAS Connectors	2 internal (SFF8484) x4 wide port connectors
	Cache Memory Speed	DDR2-533MHz with 40 or 72-bit wide bus provides up to 4.2 GB/s maximum bandwidth.
	Server Interface	x8 2.5G PCIe provides 2GB/s maximum bandwidth.
	SAS Speed	x8 3G SAS provides 2.4GB/s maximum bandwidth.
	Cache Memory	40-bit 256MB cache (72-bit 512MB module upgrades available); ECC protection, battery-backed, and transportable
	Logical Drives Supported	Up to 32 logical drives
	Maximum Logical Drive Capacity	2TB
	Host Memory Addressing	64-bit, supporting greater than 4GB server memory space
	RAID Support	RAID 6 with ADG (Advanced Data Guarding) requires Battery Backed Write Cache Upgrade RAID 5 (Distributed Data Guarding) RAID 1, 1+0 (Striping & Mirroring) RAID 0 (Striping)
	Upgradeable Firmware	Upgradeable Firmware with recovery ROM feature

Technical Specifications

Two embedded NC371i Multifunction Gigabit Server Adapters	Network Interface	10/100/1000-T	
	Compatibility	IEEE 802.3 10Base-T	
		IEEE 802.3ab 1000Base-T	
		IEEE 802.3u 100Base-TX	
	Data Transfer Method	PCI Express, four lanes (x4)	
	Network Transfer Rate	10Base-T (Half-Duplex)	10 Mb/s
		10Base-T (Full-Duplex)	20 Mb/s
		100Base-TX (Half-Duplex)	100 Mb/s
		100Base-TX (Full-Duplex)	200 Mb/s
		1000Base-TX (Half and Full-Duplex)	2000 Mb/s
Connector	RJ-45		
Cable Support	10Base-T	Categories 3, 4, or 5 UTP; up to 328 ft (100 m)	
	10/100/1000 Base-TX	Category 5 UTP up to 328 ft (100 m)	

Environment-friendly Products and Approach **End-of-life Management and Recycling** Hewlett-Packard offers end-of-life HP product return, trade-in, and recycling programs in many geographic areas. For trade-in information, please go to <http://www.hp.com/go/green>. To recycle your product, please go to: <http://www.hp.com/go/green> or contact your nearest HP sales office. Products returned to HP will be recycled, recovered or disposed of in a responsible manner.

The EU WEEE directive (2002/95/EC) requires manufacturers to provide treatment information for each product type for use by treatment facilities. This information (product disassembly instructions) is posted on the Hewlett Packard web site at: <http://www.hp.com/go/green>. These instructions may be used by recyclers and other WEEE treatment facilities as well as HP OEM customers who integrate and re-sell HP equipment.

© Copyright 2008 Hewlett-Packard Development Company, L.P.

The information contained herein is subject to change without notice.
Microsoft and Windows are US registered trademarks of Microsoft Corporation.

AMD, the AMD Arrow logo, AMD Opteron™, and combinations thereof, are trademarks of Advanced Micro Devices, Inc.

Unix is a registered trademark of The Open Group.

The only warranties for HP products and services are set forth in the express warranty statements accompanying such products and services. Nothing herein should be construed as constituting an additional warranty. HP shall not be liable for technical or editorial errors or omissions contained herein.

For hard drives, 1 GB = 1 billion bytes. Actual formatted capacity is less.